



Whitehall Manufacturing®
 Manufacturer of Healthcare and Rehabilitation Products since 1946

BestCare®
 Patients, Not Prisoners®

**Healthcare and Ligature
 Resistant Products**

Cape Cod Systems
 888-227-8555

www.capecodsystems.com

Whitehall Ligature Resistant Wall Shower

Model WH418-CSH

Division of
 Acorn Engineering Company®



A MEMBER OF



WH418-CSH

Ligature Resistant Shower

Shower is arranged to be installed on a finished wall and serviced through a removable Front Panel. Panel is fabricated from 18 gage, type 304 stainless steel with a white powder coat finish. Mounting Frame is provided.

Conical Showerhead is chrome plated brass and provides vandal and ligature Resistant. Spray pattern is a non-adjustable multi-stream style and provides a 1.5 GPM flow rate.

Valve, the T/P Mixing Valve automatically mixes hot and cold water to deliver blended water within a specific range. Mixing Valve meets the most stringent performance criteria for temperature and pressure changes, defined by ASSE 1016. Valve conforms with lead-free requirements of NSF61, Section 9, 1997 and CHSC 116875.

GUIDE SPECIFICATION

Provide and install a Best-Care™ Ligature Resistant Front Mounted Shower. Panel shall be fabricated from 18 gage type 304 stainless steel, powder coated white. Mounting Frame which shall be fabricated from 16 gage type 304 stainless steel with 18 gage type 304 stainless steel Tiling Flanges. Fixture shall be furnished with a Fixed Conical Showerhead, a Control Valve with a Chrome Plated, Patented ADA Compliant Ligature Resistant Tri-Lever Handle. Fixture shall be furnished with necessary vandal resistant fasteners for proper installation.

- **Patented D697,591**
- **D Acorn Engineering Co.**

Please visit www.whitehallmfg.com for most current specifications.



Member of
 U.S. Green
 Building
 Council



Recyclable
 Product



Water
 Conserving
 Product

Whitehall Mfg. • P.O. Box 3527 • City of Industry, CA 91744 • (800) 782-7706 • (626) 968-6681 • Fax (626) 855-4862

WH418-CSH

Updated: 06/07/19

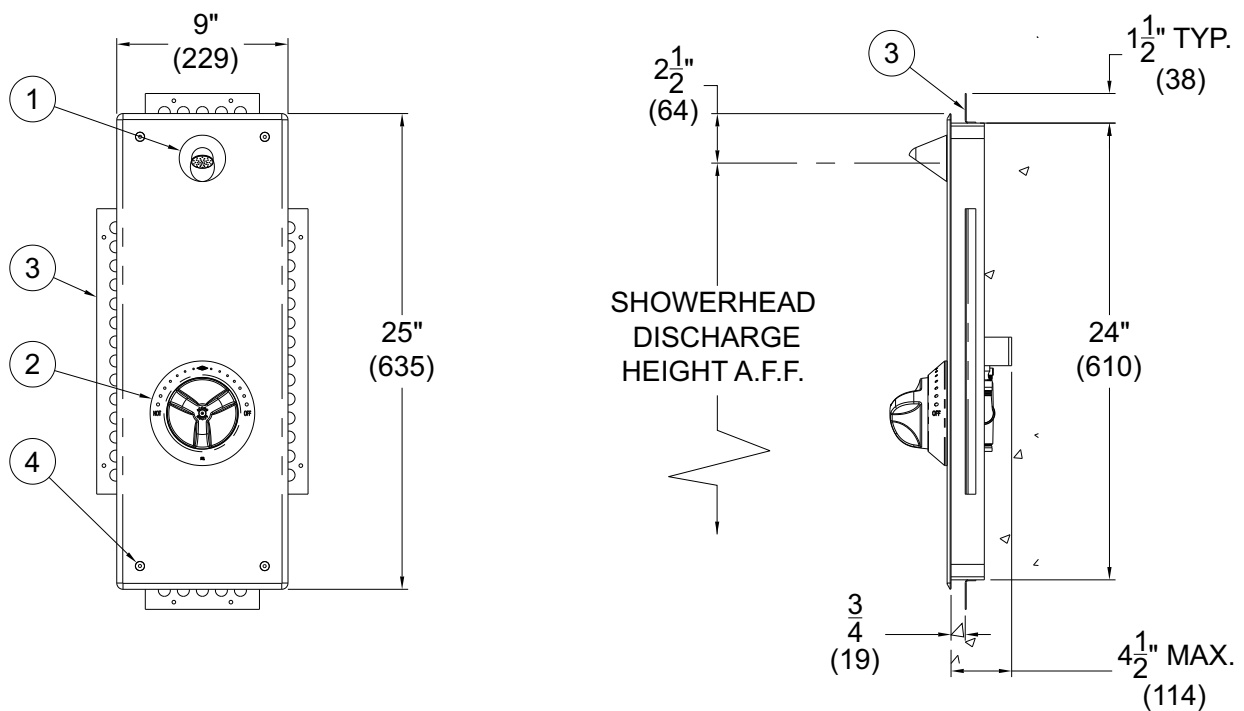


MODEL NUMBER AND OPTIONS SELECTION:

BASE MODEL NUMBER

- WH418-CSH Flush Mount Ligature Resistant Wall Shower w/ Mounting Frame (Powder Coated White)

Text



WH418-CSH

NOTES:

- 1. Conical ShowerHead
- 2. T/P Valve w/ Patented ADA Compliant Ligature Resistant Tri-Lever Handle
- 3. Wall Mounting Frame w/ Plaster Flange
- 4. Vandal Resistant Fasteners

DISCLAIMER:

This product is designed to decrease the probability that it may be utilized as an apparatus for ligature. It is not a replacement for professionals who are trained in the proper evaluation, management and supervision of persons at risk of suicide.

⚠ WARNING: Cancer and Reproductive Harm - www.P65Warnings.ca.gov

SELECTION SUMMARY & APPROVAL FOR MANUFACTURING

Model Number & Options _____ Quantity _____
 Company _____ Date _____
 Contact _____ Title _____
 Approval for Manufacturing/Signature _____

All dimensions are nominal and subject to manufacturer's change without notice. Whitehall assumes no responsibility for use of void or superseded data Whitehall Manufacturing®, Member of Morris Group International. Please visit www.whitehallmfg.com for most current specifications.