



CAPE COD SYSTEMS CORPORATION

Division of Acorn Engineering Company

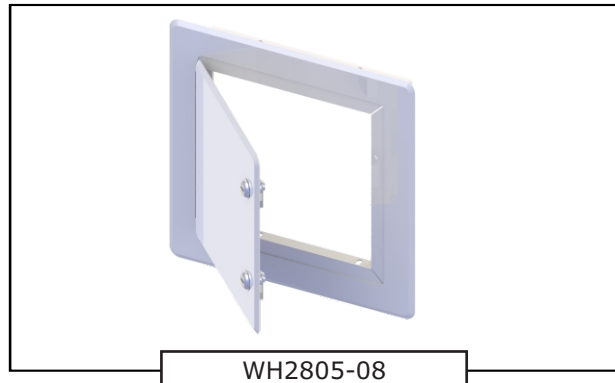


A MEMBER OF



Ligature Resistant Access Door

The Whitehall Ligature Resistant Access Door provides an easy access to valves, controls, piping and equipment. The access door is ideal for Ligature Resistant applications as it presents a reduced possibility of being used as a suicide device. Door includes two cam and lock cylinder locks with 2 keys. Concealed hinge is mounted in heavy, reinforcing channel and allows the door to open full 150 degrees. Access Door is fabricated from 16 gage, type 304 stainless steel with exposed surfaces polished to a satin finish or powder coated white.



WH2805-08

www.capecodsystemscompany.com

MODEL NUMBER AND OPTIONS SELECTION:

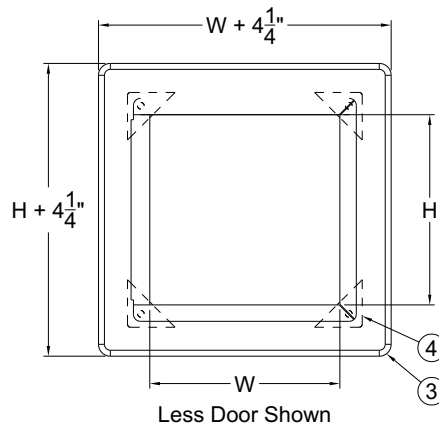
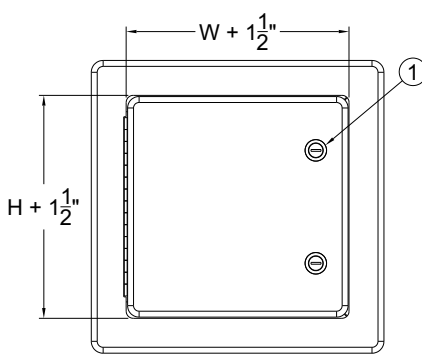
BASE MODEL NUMBER

- WH2805-08 8" Access Door Ligature Resistant (White)
- WH2805-SS-08 8" Access Door Ligature Resistant (Stainless Steel)
- WH2805-12 12" Access Door Ligature Resistant (White)
- WH2805-SS-12 12" Access Door Ligature Resistant (Stainless Steel)
- WH2805-14 14" Access Door Ligature Resistant (White)
- WH2805-SS-14 14" Access Door Ligature Resistant (Stainless Steel)
- WH2805-18 18" Access Door Ligature Resistant (White)
- WH2805-SS-18 18" Access Door Ligature Resistant (Stainless Steel)

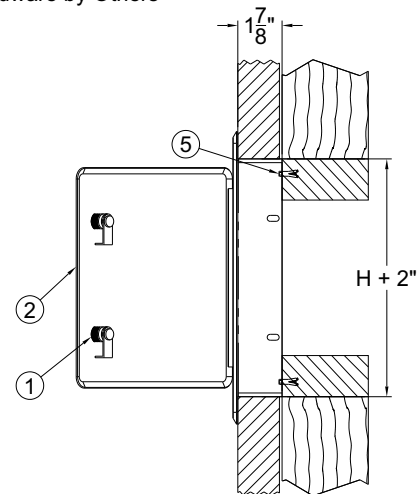
MODEL #	OPENING (W x H)	WALL OPENING
WH2805-08	8" x 8"	10-1/4" x 10-1/4"
WH2805-12	12" x 12"	14-1/4" x 14-1/4"
WH2805-14	14" x 14"	16-1/4" x 16-1/4"
WH2805-18	18" x 18"	18-1/4" x 18-1/4"

NOTES:

1. Cam and Cylinder Lock
2. Access Door
3. Beveled Flange
4. Mounting Points
5. Hardware by Others



Less Door Shown



All dimensions are nominal and subject to manufacturer's change without notice. Whitehall assumes no responsibility for use of void or superseded data © Whitehall Manufacturing, Member of Morris Group International. Please visit www.whitehallmfg.com for most current specifications.

DISCLAIMER:

This product is designed to decrease the probability that it may be utilized as an apparatus for ligature. It is not a replacement for professionals who are trained in the proper evaluation, management and supervision of persons at risk of suicide.

SELECTION SUMMARY & APPROVAL FOR MANUFACTURING

Model Number & Options _____ Quantity _____
 Company _____ Date _____
 Contact _____ Title _____
 Approval for Manufacturing/Signature _____