



Whitehall Manufacturing®
 Manufacturer of Healthcare and Rehabilitation Products since 1946

BestCare®
 Patients, Not Prisoners®

**Healthcare and Ligature
 Resistant Products**

Division of
 Acorn Engineering Company®



A MEMBER OF



**CAPE COD SYSTEMS
 CORPORATION**
TEL. 1-888-227-8555

**Whitehall
 Ligature Resistant
 Flush Valve Cover
 with Flush Valve**

Model WH2802SLPT



**Ligature Resistant Flush Valve
 Cover with Flush Valve**

Recommended for flushing conventional toilets, urinals and floor drains with top supply (exposed) flush valve connections where vandal or suicide resistance is a concern.

Flush Valve is a exposed type with cast bronze body. Flush valve features quiet operation and includes a suicide resistant pushbutton, union angle stop and code approved vacuum breaker. All exposed parts are polished chrome plate.

Flush Valve Cover is 16 gage, type 304 stainless steel with all exposed surfaces powder coated white. It is furnished with six removable wall brackets secured with vandal resistant screws.

GUIDE SPECIFICATION

Provide and install Ligature Resistant Flush valve cover with flush valve. Flush valve cover fabricated from 16 gage type 304 stainless steel. All exposed stainless steel surfaces are powder coated white. Flush valve shall be pushbutton operated with cover and secured with stainless steel vandal resistant fasteners. Wall anchors and anchoring hardware by others.

Please visit www.whitehallmfg.com for most current specifications.



Member of
 U.S. Green
 Building
 Council



Recyclable
 Product



Water
 Conserving
 Product

Complies
 with the
 following
 standards:



Whitehall Mfg. • P.O. Box 3527 • City of Industry, CA 91744 • (800) 782-7706 • (626) 968-6681 • Fax (626) 855-4862

WH2802SLPT

Updated: 12/14/17



MODEL AND OPTIONS SELECTION:

BASE MODEL NUMBER

TOILET

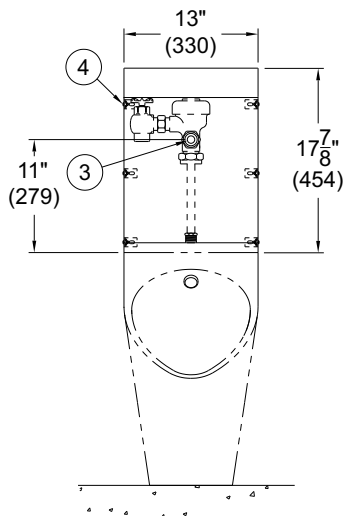
- WH2802SLPT-1.28 Ligature Resistant Flush Valve Cover With 1.28 GPF Flush Valve (White)
- WH2802SLPT-1.6 Ligature Resistant Flush Valve Cover With 1.6 GPF Flush Valve (White)

URINAL

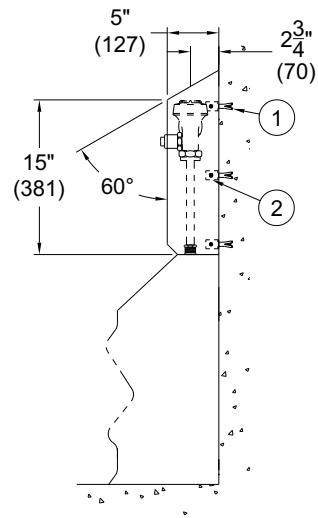
- WH2802SLPT-0.125 Ligature Resistant Valve Cover With 0.125 GPF Flush Valve (White)
- WH2802SLPT-0.5 Ligature Resistant Valve Cover With 0.5 GPF Flush Valve (White)

OPTIONS:

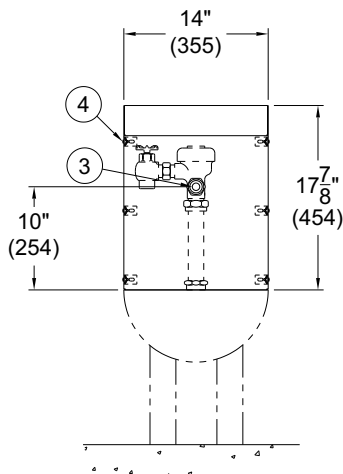
- A Right Side Inlet Flush Valve



**CAPE COD SYSTEMS
 CORPORATION
 TEL. 1-888-227-8555**

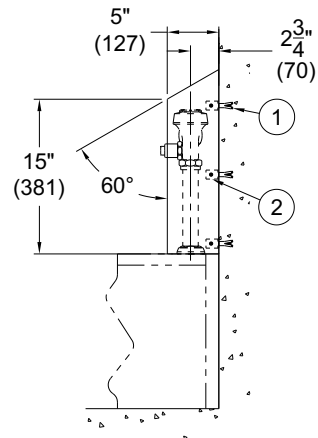


MODEL# WH2802SLPT (Urinal)



Notes:

1. Wall Anchors And Anchoring By Others
2. Mounting Clips
3. Flush Valve Pushbutton
4. Vandal Resistant Fasteners



MODEL# WH2802SLPT (Toilet)

DISCLAIMER:

This product is designed to decrease the probability that it may be utilized as an apparatus for ligature. It is not a replacement for professionals who are trained in the proper evaluation, management and supervision of persons at risk of suicide.

SELECTION SUMMARY & APPROVAL FOR MANUFACTURING

Model Number & Options _____ Quantity _____
 Company _____ Date _____
 Contact _____ Title _____
 Approval for Manufacturing/Signature _____

All dimensions are nominal and subject to manufacturer's change without notice. Whitehall assumes no responsibility for use of void or superseded data © Whitehall Manufacturing, Member of Morris Group International. Please visit www.whitehallmfg.com for most current specifications.