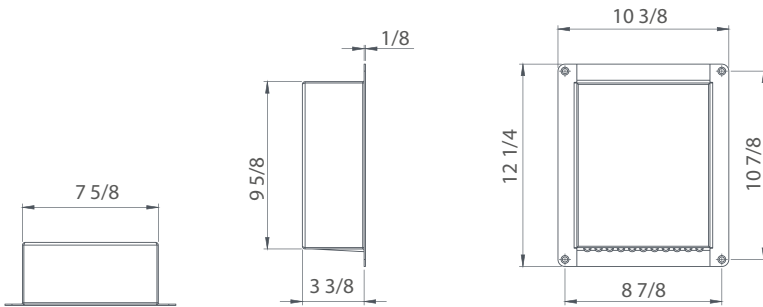


KG12 Recessed Washroom Shelf



Anti-ligature Disclaimer

Anti-ligature Disclaimer The anti-ligature design characteristics of this product are not intended to replace or substitute the need for necessary supervision of those who may be at risk, or for other necessary protective measures to be taken in the specific circumstances of usage. Kingsway Group, Inc. does not offer any products for sale as being 'ligature-free' and will not be liable for any claims arising from ligature attachment on its products. It is the customer's responsibility to ensure that products purchased and installed are suitable for the environments they are installed in.

The KG12 recessed washroom allows for the safe storage of small items such as soap. It is made from high-grade stainless steel and is anti-ligature by design. The unit is supplied with security screws for installation.

Installation description

- Mark out the location of the shelf on the wall
- Drill holes for screws provided, allowing for anchors to suit wall construction type.
- Attach unit securely to the wall, additional tamper proof caulking can be applied around outer flange.

Operation and Maintenance

Operation

Soap and other items can be placed on the washroom shelf and allowed to drain while providing a discrete solution.

Maintenance

Periodically check for smooth function and lubricate when necessary with a dry graphite lubricant.

Cleaning

Should be cleaned as part of regular schedule using standard detergents or disinfectants, avoid acidic cleaners.

Guarantee

10 Year Guarantee*

*For faulty manufacture and not for damage

Architectural Specification

KG12 Anti-ligature recessed washroom shelf with security screws. Designed to prevent ligature attachment or wedging.

**CAPE COD SYSTEMS
CORPORATION
TEL. 1-888-227-8555**