



Key Features

- ADA and TAS compliant
- Serves one or two users at a time
- Standard lavatory spacing on 30" centers
- Continuous bowl, sprayhead, and end caps are constructed of Terreon® solid surface material
- Available in a variety of colors
- Available in infrared, air valve metering, or TouchTime® mechanical metering

Specifications

The flowing "wave" design accommodates one to two users. Units handle washroom traffic quickly and economically, while providing each user with personal space. Lavatories for the system are positioned on 30" centers. Bradley's continuous bowl features a contemporary flowing "wave" design. This unique "wave" pattern is repeated in the sprayhead, integrating the components. The pre-assembled sprayhead module is equipped with independent aerators, each served by separate infrared sensing module and solenoid valve (Model MG-2/IRP), pushbutton air metering valve (Model MG-2/AST4), TouchTime® mechanical pushbutton (Model MG-2/TTPA) or TouchTime piezo switch (MG-2/TTPB), or independent battery IR sensor and batteries (Model MG-2/BIR3). Operating range is 20–80 psi. Flow restrictor keeps flow rate constant at all pressures.

Product Compliance

Listed by IAPMO R&T to

- Uniform Plumbing Code (UPC)
- National Plumbing Code of Canada
- International Plumbing Code (IPC)
- IGC 156 and the requirements of CSA B45.5/IAPMO Z124 and ASME A112.18.1/CSA B125.1



Listed by UL Environment to

- GreenGuard Gold



Sustainability

Terreon participates in the mindful MATERIALS library



Listed by NSF International to

- NSF/ANSI 372



Complies with

- ADA
- ICC/ANSI 117.1
- TAS



Construction

Bowl, Sprayhead, and Pedestal End Caps

Constructed of Terreon, a densified solid surface material composed of a bio-based resin. Terreon is resistant to chemicals, stains, burns, and impact. Surface damage can be easily repaired with everyday cleansers or fine grit abrasives. Terreon is GREENGUARD® certified as low-emitting materials.

Support Frame and Access Panel

Bowl assembly and pedestal end caps are secured to a heavy gauge stainless steel support frame mounted to the wall. The contoured front access panel is constructed of 300 series stainless steel.

Vandal Resistance

The molded solid surface sprayhead is an integral part of the bowl module. A free-spinning collar protects the aerator from vandalism. The infrared sensor will automatically shut off water flow after 30–45 seconds if a vandal attempts to trigger constant operation by covering the sensor, or by placing a stationary object in the sensor's detection area. Pushbuttons are secured to the unit from inside the sprayhead. Air valves, water supplies, and waste are concealed within the pedestal/support frame assembly.

Standard Equipment

Continuous bowl with two lavatories, sprayhead, pedestal, stainless steel mounting frame (as described above), 120VAC/12VDC plug-in adapter (Model MG-2/IRP, Model MG-2/TTPA and Model MG-2/TTPB). Batteries are included (Model MG-3/BIR3). The following fittings are provided: P-trap, tailpiece, two flexible stainless steel supply connections, and Navigator® thermostatic mixing valve with stops.



Serves the American Disabilities Act and ICC/ANSI 117.1 guidelines, citations 306, 308, 309.4, 606.4, 606.5 when installed according to these requirements. Consult local codes and standards.



This plumbing fixture is designed for hand washing only. It is not intended to dispense water for human consumption through drinking or for preparation of food or beverages.



MG-2

Express® Lavatory System – MG-Series

Activation Types

Infrared (Model MG-2/IRP)

The sensor module uses a conical infrared transmitting beam, creating a wide detection area. Adaptive-style sensor shall learn installation environment upon power-up and react (activate) when the user's hands enter the detection area. Each of the aerators is controlled by a separate, slow-closing solenoid valve. Hands placed within the bowl are detected and will activate a flow of tempered water at a rate of 0.50 gpm (1.9 Lpm). A timing turn-off delay of 2–3 seconds results in a smooth, controlled hand-washing operation. The Bradley adaptive sensor is not affected by varying color tones or darkness. Direct sunlight or bright washroom lights (up to 10,000 foot candles) will not activate the system.

- Solenoids – 12VDC, 3/8" NPT. The electronically activated, slow-closing solenoid valve provides reliable performance since there are few moving parts, and its operation is unaffected by most chemicals and minerals often present in municipal water supplies. Neither the solenoid valve nor the infrared sensor module need adjustment for range or timing.
- Low Voltage Plug-In Adapter – A UL/CSA-listed 120VAC/12VDC plug-in adapter powers the solenoid valves. The plug-in adapter, furnished as standard equipment, plugs into a standard GFCI protected electrical outlet.

Battery Infrared (Model MG-2/BIR3)

Each battery-powered sensor uses a zone-focused infrared transmitting beam, creating a large detection area. The sensor is not affected by varying skin tones or darkness. When hands enter the detection area, the sensor starts water flow by opening the valve electronically. Tempered water flows at a rate of 0.50 gpm (1.9 Lpm). When hands leave the detection area, the sensor stops the flow of water by closing the valve. The 6VDC, electronically activated solenoid valve has few moving parts, providing reliable operation that is unaffected by most chemicals and minerals often present in municipal water supplies. Each station is powered by a single lithium battery. Battery type is Duracell® DL 223A 6V lithium or equivalent (batteries included) with a life expectancy of 4–5 years or approximately 200,000 cycles.

Air Valve Metering (Model MG-2/AST4)

Each pushbutton pneumatically actuates a non-hold-open air metering, single-temperature valve with field adjustable timing from 0–45 seconds. Factory set at 11 seconds. Each pushbutton activates one valve which, in turn, activates one hand washing station at a rate of 0.10 gpc (0.38 Lpc). Push button requires less than five pounds of pressure.

TouchTime® Mechanical Metering (Models MG-2/TTPA & MG-2/TTPB)

Each low voltage mechanical pushbutton or piezo switch actuates a non-hold-open, slow closing anti-hammer solenoid valve that is timed from an electronic potted assembly. Each push button activates one valve, which, in turn, activates one station flowing tempered water at a rate of 0.10 gpc (0.38 Lpc). TouchTime controls water flow at each station through the use of solid-state, digital circuitry. Timing is factory set at a 15 second run time but is field adjustable to pre-set timeout periods and optional auto-flush function. The 24 hour flush function will activate water flow for a period of 60 seconds any time there has been no activation within the past 24 hours. Push button requires less than five pounds of pressure.

Optional Equipment

Soap Dispenser Type

One horizontally-mounted pump-style valve is located over the drain. Soap tank is located within the stainless steel frame. Soap tank is refillable through an easily accessible exterior filler cap. Filler cap is vandal resistant and opens with special spanner wrench included. Soap tank capacity is ¾ gallon.

For information on Terreon Waste Receptacles for the Express MG-Series, visit bradleycorp.com.

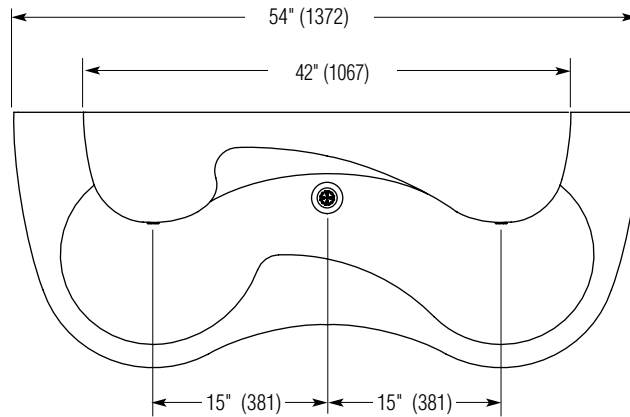


MG-2 Express® Lavatory System – MG-Series

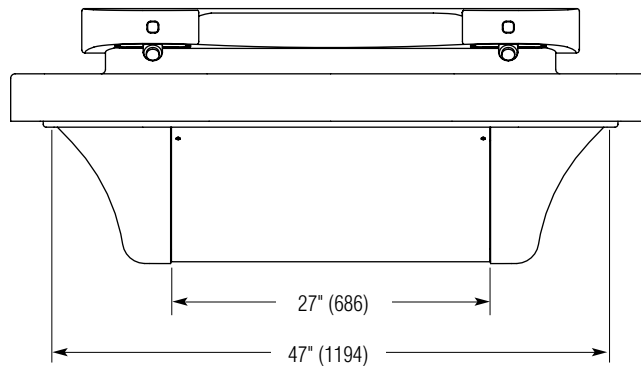
Dimensions

(mm)

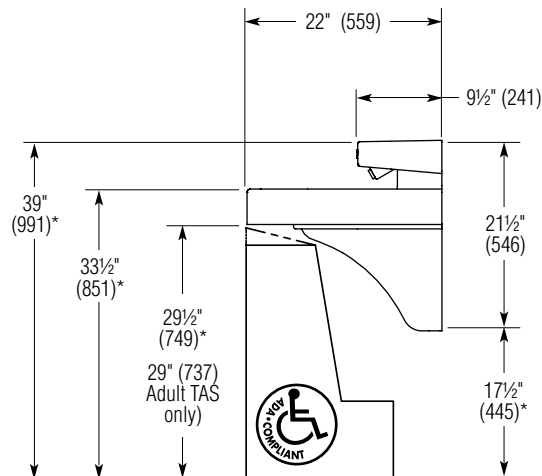
Top View



Front View



Side View



* Subtract 4" from all vertical dimensions for Juvenile Height Mounting.

* Subtract 3½" from all vertical dimensions for TAS Juvenile Height Mounting (grades Pre-K through 5 or 6).

* Subtract 1½" from all vertical dimensions for TAS Juvenile Height Mounting (grades 6 through 8 or 9).





MG-2 Express® Lavatory System – MG-Series

Rough-Ins

(mm)

Mounting for Standard Height Is Shown

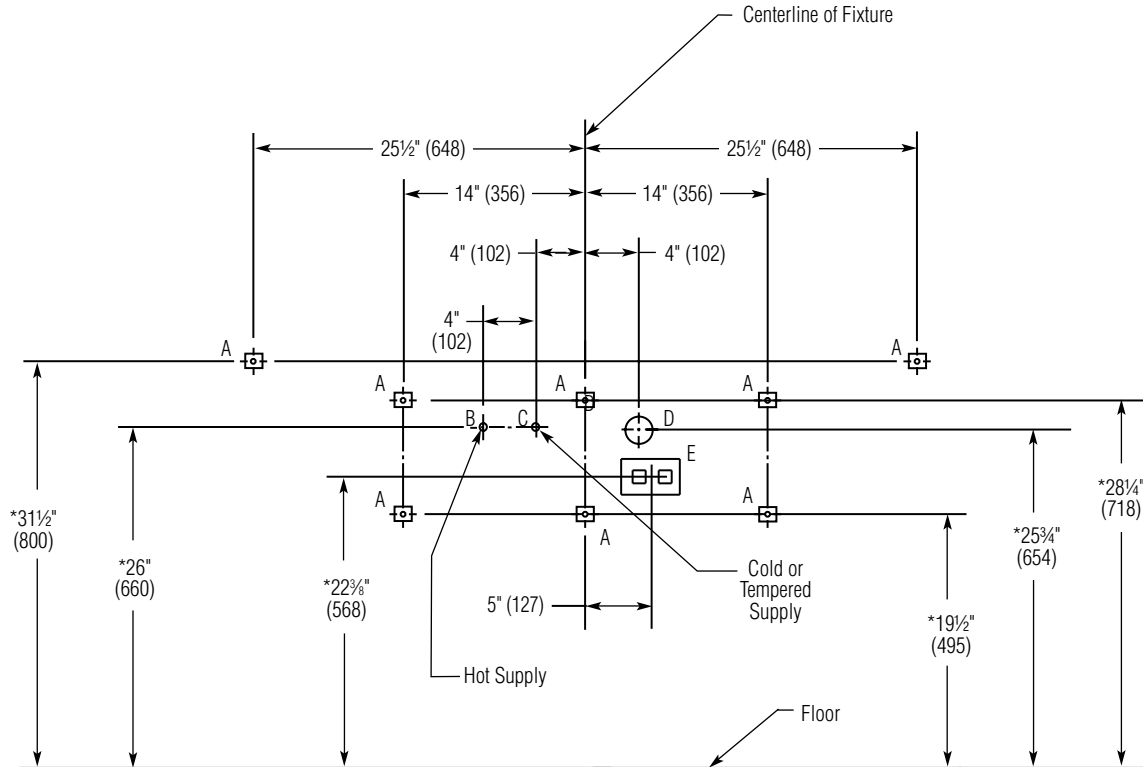


Chart 1

Std. Height	Vertical Height Adjustments Codes A, B, C, D, E, F and G	Fixture Style
*	None	Standard Height
*	Subtract 4"	Juvenile Height
*	Subtract 1½"	TAS, Grades 6 through 8 or 9
*	Subtract 3½"	TAS, Pre-K through Grades 5 or 6

Chart 2

Code	Description	Qty.
A	⅜" Wall Anchors with a minimum pull out force of 1,000 lb	8
B	½" Nominal Copper Tubing for Hot Supply, Stub-Out 2" from Wall	1
C	½" Nominal Copper Tubing for Cold or Tempered Supply, Stub-Out 2" from Wall	1
D	1½" NPT Drain, Stub-Out 2" from Wall	1
E	110V GFCI Protected Electrical Outlet. I.R. and TouchTime Only	1



MG-2 Express® Lavatory System – MG-Series

Standard Selections (Must select one from each category)			
Activation Type			
IRP	Infrared		
AST4	Air Pushbutton		
TTPA	TouchTime Pushbutton		
TTPB	TouchTime Piezo Switch		
BIR3	Battery Infrared		
Soap Dispenser Type (select one)			
LSD-3	Two Integral Liquid Soap Dispensers (MG-3)		
NSD	No Soap Dispenser		
Water Supply Type (select one)			
TMA	Navigator Thermostatic Mixing Assembly (Hot and Cold Supplies)		
TL	Single Tempered Line		
Color of Terreon Bowl/Sprayhead Cover (select one)			
<i>NOTE: Click on any swatch to view as a larger image.</i>			
<i>Standard Colors</i>			
ALP-WHT	<input type="checkbox"/> Alpine White	PEBBLE	<input type="checkbox"/> Pebble Beach
CHAR	<input type="checkbox"/> Charcoal Gray	PEP-WHT	<input type="checkbox"/> Peppered White
DRIFT	<input type="checkbox"/> Driftwood †	POLAR	<input type="checkbox"/> Polar Ice †
DS-WHT	<input type="checkbox"/> Designer White	RIVER	<input type="checkbox"/> Riverstone
E-GRAY	<input type="checkbox"/> Empire Gray	SAND	<input type="checkbox"/> Sandtrap
GLACIER	<input type="checkbox"/> Glacier †	S-CREEK	<input type="checkbox"/> Stone Creek
GRAPH	<input type="checkbox"/> Graphite	S-MIST	<input type="checkbox"/> Silver Mist
LANNON	<input type="checkbox"/> Lannonstone	WHT-SAND	<input type="checkbox"/> White Sand
MOONSTONE	<input type="checkbox"/> Moonstone †		

Optional Selections	
Waste Assembly Type	
S-CHROME	Single Chrome-Plated P-Trap
S-POLY	Single Polypropylene P-Trap

*Non-cancelable, non-returnable

† This color contains large, randomly distributed chips.

Cape Cod Systems Corporation
Tel. 1-888-227-8555
www.capecodsystems.com