

CAPE COD SYSTEMS CORPORATION

TEL. 1-888-227-8555

TDWL22

Terreon® Deep Well Hand Hygiene Sink



- Molded single piece design
- Deep well Hand Hygiene Sink (HHS) minimizes splashing
- Integral extra height splashes help contain water
- Basin drain offset to minimize splatter out of the drain
- Basin ledges are pitched towards bowl drain to minimize puddling
- Basin bottom contours towards drain for quick drainage
- Well suited for health care and sanitary applications
- Constructed of vandal-resistant Terreon® Solid Surface Material

Specifications

This molded single piece design HHS includes integral extra height splashes to help contain water. Offset drain designed with a specially designed flow path to evacuate water with minimal splatter from the drain trap. The TDWL22 HHS can be equipped with factory supplied drillings or deck mounted faucets. The TDWL22 HHS has molded carrier arm pockets on the underside of the HHS designed to accept an optional surface mounted bracket by Bradley or an in-wall carrier by others. Interior basin dimensions are 17" x 13.5" x 9.75" deep.

Construction

Constructed of Terreon, a densified solid surface material composed of polyester resin. Terreon is resistant to chemicals, stains, burns and impact. Surface damage can be easily repaired with everyday cleansers or fine grit abrasives. Terreon is GREENGUARD® certified as low-emitting materials.

Mounting

The TDWL22 can be supported by a surface-mounted bracket supplied by Bradley or in-wall carriers supplied by others. The surface-mounted bracket is constructed of 1" square structural tubing and is zinc-plated mild steel. The surface-mounted bracket also includes a locking device and leveling screws.



TDWL22 shown with optional equipment

Product Compliance

Listed by IAPMO R&T to

- Uniform Plumbing Code (UPC)
- National Plumbing Code of Canada
- International Plumbing Code (IPC)
- IGC 156 and the requirements of CSA B45.5/ IAPMO Z124 and ASME A112.18.1/CSA B125.1 - CSA Z8000



Listed by UL Environment to

- GreenGuard Gold

Complies with

- NSF/ANSI 372



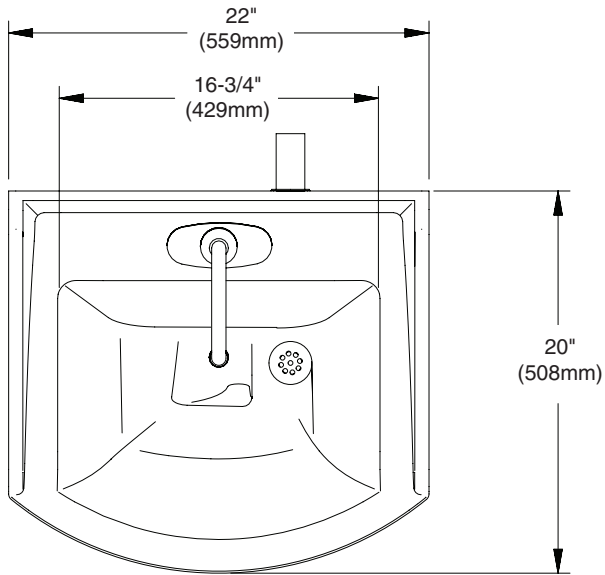
This plumbing fixture is designed for hand washing only. It is not Intended to dispense water for human consumption through drinking or for preparation of food or beverages.



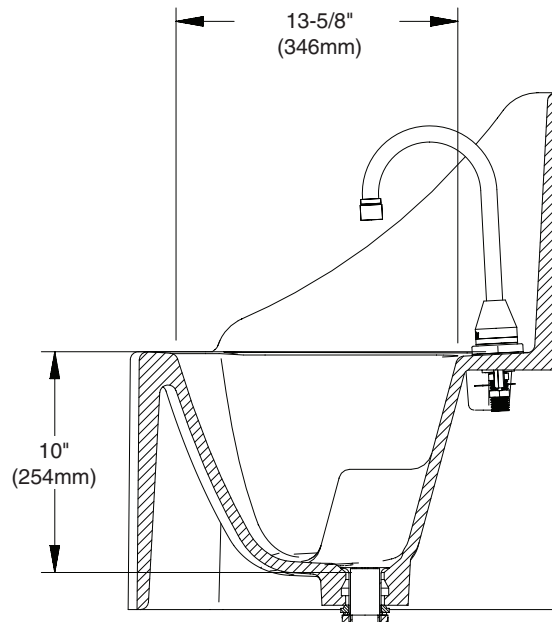
TDWL22 Terreon® Deep Well Hand Hygiene Sink

TDWL22 – Dimensions

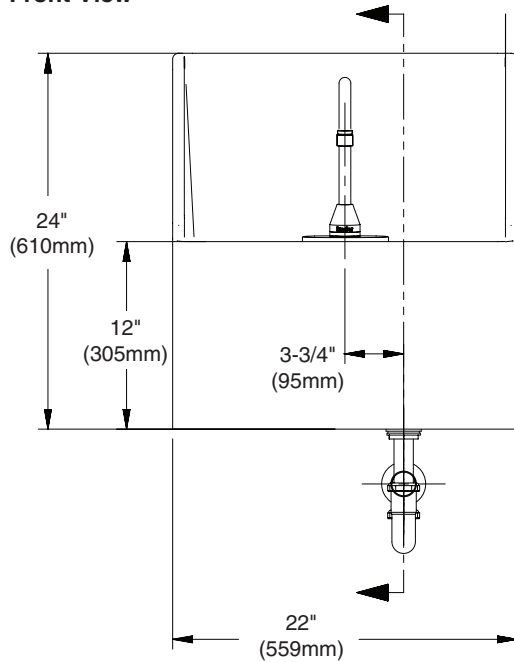
Top View



Side View Standard Height



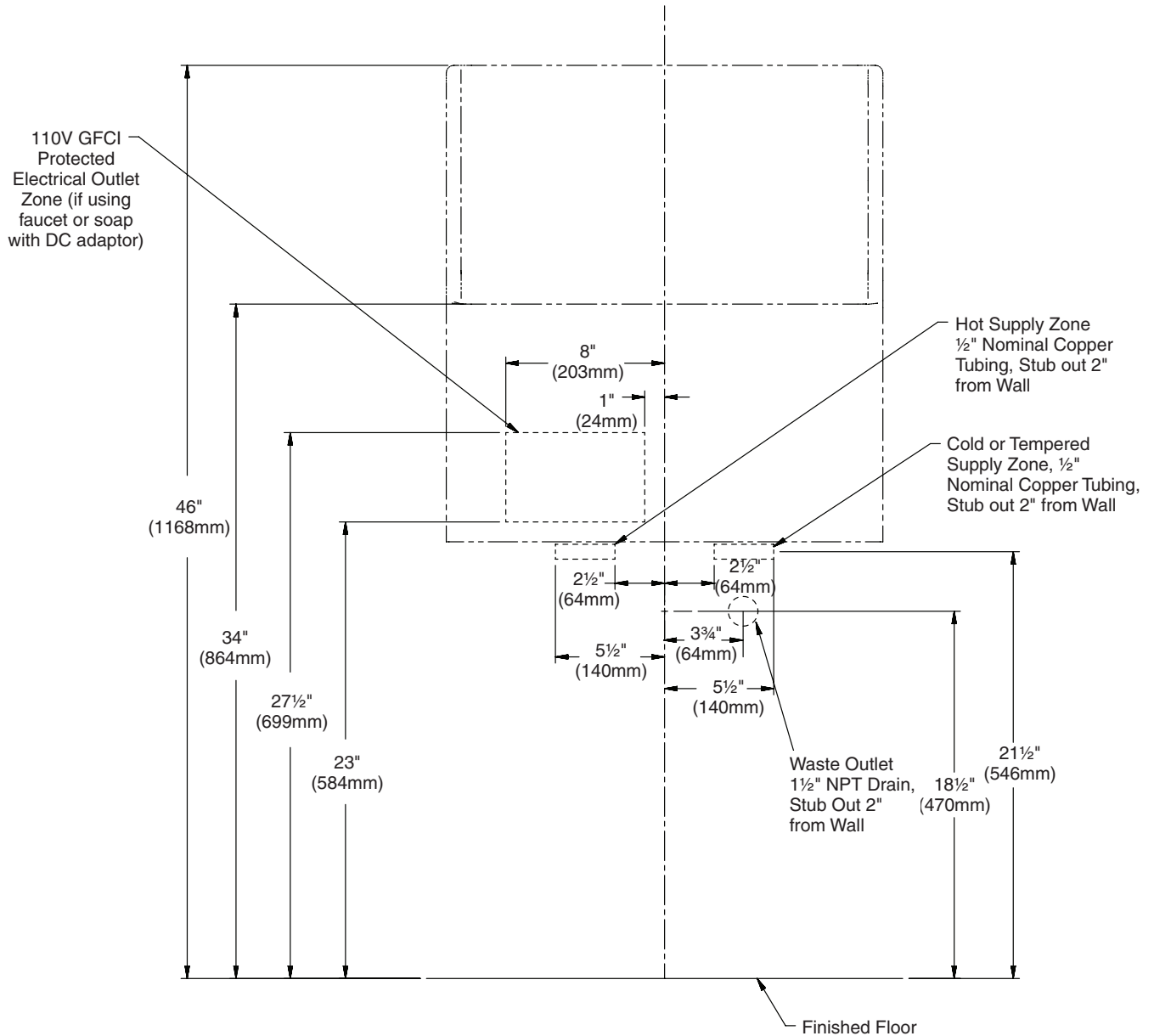
Front View





TDWL22 Terreon® Deep Well Hand Hygiene Sink

TDWL22 – Rough-in





CAPE COD SYSTEMS CORPORATION

TEL. 1-888-227-8555

TDWL22

Terreon® Deep Well Hand Hygiene Sink

Standard Selections (Must select one from each category)

Faucet Type

- SHANK** Centershank
- 4" SET** 4" Centerset
- 8" SET** 8" Centerset

Order S53-325, S53-326/27 or S53-315 faucets as separate line item.

Soap Dispenser Type

- 6315-KT0000** Battery IR Metering Soap Dispenser Kit (with Batteries and 1,000-shot Soap)* *Order 6315 transformer as separate line item.*
- 6324** 16 oz. Plastic Globe, 4" Spout*
- 6324-68** 32 oz. Plastic Globe, 4" Spout*
- 6334** 16 oz. Plastic Globe, 3½" Spout*
- SDO** 1¼" Soap Drilling Only*
- NSD** No Soap Dispenser

Water Supply Type

- TMA** Navigator® Thermostatic Mixing Valve (Hot and Cold Stops and Supplies)
- TL** Single Tempered Line (Stop and Hose)
- NONE** No Water Supply Type (Customer Supplied Stops and Supplies)

Bowl Color

- WHT-SAND** White Sand

Mounting Type

- BRKT** Surface-Mounted Bracket
- NONE** No Bracket (Customer-Supplied Mounting)

Waste Assembly Type

- S-CHROME** Single Chrome-Plated P-Trap
- P-TRAP-P** Single Polypropylene P-Trap
- NONE** No P-Trap (Customer Supplied P-Trap)

Drain Assembly Type

- D-ASSY** Drain Assembly
- NONE** No Drain Assembly

Optional Selections

Soap Adapter Type

- P19-231F** Plug-In Adapter for 6315 Soap Dispenser (must be ordered as a separate line item)

*Soap is not available with 8" trim plates or wrist blade handle type faucets.