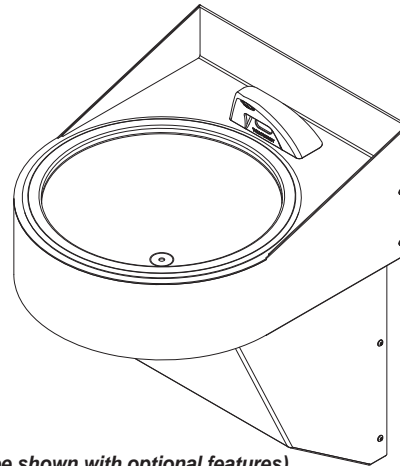


Willoughby Industries - Healthcare Products



BWLDR-1922-DMF Stainless Steel Front Mounted Bariatric Lavatory Powder Coated White



(Unit may be shown with optional features)



To specify fixture and accessories, use the Model Number and Options page.

Example: To specify a single station, Stainless Steel, Bariatric Lavatory with ligature-resistant infrared faucet.

Use the following Willoughby Model Number:

BWLDR-1922-DMF-LRFC-IR

Recommended Specifications

Stainless Steel, Front Mounted, Bariatric Lavatory, Powder Coated White shall be: Willoughby Model No.

BWLDR-1922-DMF

(Select from model number and options list on next page)

Wall mounted lavatory shall accommodate one user and is designed to minimize ligature points when LRFC is included. The lavatory will have rounded integral sloped backsplash and rounded integral ligature-resistant side splashes. Fixture shall be fabricated from 14 gauge, T304 stainless steel. The construction shall be welded with removable trap enclosure. Fixture exterior, including deck, basin, and trap enclosure, shall have an antimicrobial gloss white powder coat enamel finish**. A bare stainless steel lavatory basin with satin finish is optional.

Wall mounted bariatric lavatory shall accommodate bariatric patients and be able to withstand a static downward force of 650 lbs. at the front edge of the lavatory with no permanent physical damage (see **Mounting** section).

The optional LRFC faucet shall be constructed of cast 304 stainless steel with a polished exterior finish. The ligature-resistant faucet shall be surface mounted with no visible fasteners. The faucet shall provide non-aerated water stream. The faucet shall have a 35° angle of spray with 16° max swivel adjustment, with 1.5 GPM maximum flow rate.

BWLDR-1922-DMF Lavatory shall be supplied with drain tailpiece. Optional LRFC includes integral checkstops, flexible supply hoses, control valves, and plug-in transformer* if applicable. Operating supply water pressure range is 30-75 psi. Optional factory installed thermostatic mixing valve is available.

Vandal Resistance/Safety Features:

The slow drain, escutcheon and Willoughby LRFC faucet (if included) are non-removable and are designed to minimize ligature points. Valve, water supplies and waste connection are concealed within trap enclosure. All exposed fasteners shall be vandal-resistant security type screws.

ADA, TAS, UFAS, and ANSI Compliant:

Unit shall comply with IAPMO Z124 / CSA B45.5 requirements. It shall also comply with all applicable ADA, TAS, UFAS, and ANSI accessibility guidelines.

Mounting:

The lavatory may be wall surface-mounted using the reinforced heavy gauge mounting plate or may be supported by an in-wall plate carrier. A fixture-specific in-wall carrier is an available option, or a generic in-wall carrier may be supplied by others. Proper backing and anchoring hardware for lavatory mounting provided by others.

Optional Features:

* *Note: Plug-in transformer must be used with a ground fault interrupter (GFCI) receptacle to prevent possible electrical shock.*

***Antimicrobial properties are built-in to inhibit the growth of bacteria that may affect this product. The antimicrobial properties do not protect users or others against bacteria, viruses, germs, or other disease organisms. Always use good, hygienic cleaning practices.*



WARNING: Cancer and Reproductive Harm

- www.P65Warnings.ca.gov



MODEL NUMBER AND OPTIONS:

1.) Base Model Number:

- BWLDR-1922-DMF Stainless Steel, Front Mounted,
Behavioral Healthcare, Bariatric Lavatory,
Powder Coated White

2.) Faucet:

- NV No Valve, No Spout / Bubbler- Faucet by Others
(Select Hole Punching if needed)
- LRFIC-IR Ligature-Resistant Infrared Faucet, Plug-in*/****
- LRFIC-BO Ligature-Resistant Infrared Faucet, Battery Operated***
- LRFIC-PBH Ligature-Resistant Faucet Push Button, Pneumatic****
- LRFIC-PZPB Ligature-Resistant Faucet Push Button, Piezo Electronic*/****

3.) Options:

- SSB Stainless Steel Lavatory Basin (basin not powder coated)
- LDC Less Powder Coat Finish
- TMV In-line Thermostatic Mixing Valve
- MC In-wall Plate Mounting Carrier
- Other _____
- Other _____

*(Req. 110V power through ground fault interrupter (GFCI) receptacle)

****Antimicrobial properties are built-in to inhibit the growth of bacteria that may affect this product. The antimicrobial properties do not protect users or others against bacteria, viruses, germs, or other disease organisms. Always use good hygienic cleaning practices.**

***LIGATURE-RESISTANT DISCLAIMER

This product is designed to minimize ligature points if willoughby faucet is used. While every effort has been made to reduce the possibility of ligature points, this product does not eliminate all risks. Ligature-Resistant products by Willoughby Industries are to be used in conjunction with, not as a replacement for, trained professionals.

5.) Hole Punching Selection (Faucet by Others):

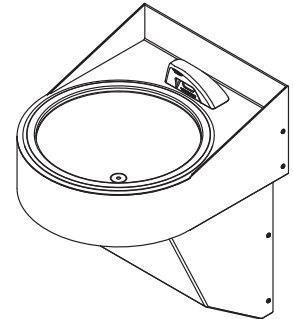
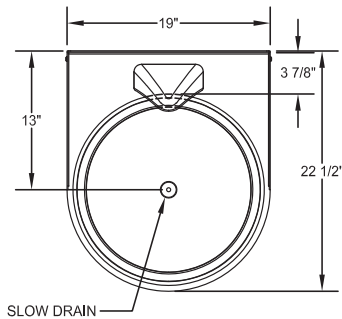
- 4CC 4" Centerset, Ø1-1/4" Holes (3 Holes)
- 8CC 8" Centerset, Ø1-1/4" Holes (3 Holes)
- 1CC Center Shank, (1) Ø1-1/4" Hole (1 Hole)
- SP Special Punching (Specify hole punching dim.)
SP: _____

CAPE COD SYSTEMS CORPORATION

TEL. 1-888-228-8555

www.capecodsystems.com

Approved For Manufacturing By: _____ Date: _____ Company: _____
Wall Thickness: _____ Wall Type: _____



VERIFY ALL DIMENSIONS WITH FACTORY PRIOR TO ROUGH-IN
WILLOUGHBY RESERVES THE RIGHT TO MAKE CHANGES IN DESIGN AND DIMENSIONS WITHOUT FORMAL NOTICE AND WITHOUT INCURRING OBLIGATION.

