

murdock[®]
 SINCE 1853

BOTTLE FILLER

EZREACH™ BOTTLE FILLER

BASE MODEL BFEZS168

COMPACT, WALL MOUNTED, SENSOR OPERATED,
 REFRIGERATED BOTTLE FILLER

STANDARD FEATURES

- *Rough-Ins Match Other Manufacturer's Water Coolers for Easy Replacement*
- *Hands-Free Sensor Operation*
- *Bottle Filler uses either Plug-In Power Supply or Battery Power*
- *Optional -WF1 & -WF3 Filter Cap Has Auto-Shut Off for Easy Changing of Filter Without Turning Off Supply*
- *Access Panel for Ease of Maintenance*
- *Lead Free*
- *Housing is Satin Finish Stainless Steel*
- *Laminar Flow Water Supply*
- *Sensor Has a 20 Seconds Maximum Run Time*
- *1 GPM Fill Rate*
- *100-Mesh Inlet Strainer*

SUGGESTED SPECIFICATIONS

Electric Refrigerated Bottle Filler

EZREACH™ Model BFEZS168 is a self-contained, Chilled Bottle Filler that delivers a minimum of **8.0 GPH** (30.3 LPH) of water at 50°F (10°C) cooled from 80°F (26.7°C) inlet water and 90°F (32.2°C) ambient. Unit shall be activated by a front mounted 9 Volt Infrared Sensor. Basin shall be constructed from 304 Stainless Steel polished to a #4 satin finish and have an Integral Drain. Cabinet shall be Stainless Steel with Satin Finish. Cooling system shall use R-134a Refrigerant and be Capillary Tube regulated. Thermostat shall regulate the refrigeration system. Unit shall be listed by Underwriters Laboratories for both the US and Canada and is to be compliant to ANSI/ASHRAE 18. Unit shall be certified to Public Law 111-380 (NO-LEAD) and NSF/ANSI/CAN 61. When installed properly, the Bottle Filler complies with ADA forward and side reach height requirements ADA Standing Person, and ADA Child. Unit shall still deliver ambient water temperature to the Spout in the absence of electrical power as long as Battery Power Pack option is used and there is a pressurized water supply. Bottle Filling unit shall include Sensor Operated activation with a 20 second maximum run time.

Bottle Filler housing construction will be 20 gauge Stainless Steel with a satin finish and will also include components manufactured from Antimicrobial, impact resistant ABS. Bottle Filler shall provide approximately 1 GPM (3.8 LPM) flow rate with a Laminar Flow Spout to minimize splashing.

H₂O
to go!



MODEL BFEZS168-BCD Shown

PATENT# Pending
 PATENT# D873,606



Maintenance Advantage[®]
 Water Cooler by Murdock Manufacturing

“RATED FOR INDOOR USE ONLY”

Model Number	GPH*	Rated Watts	Full Load Amps	Approx. Shipping Weight
BFEZ168	8.0	335	4.1	100 lbs.

* GPH of 50°F water at 90°F ambient room temperature and 80°F inlet water temperature
 Compressor operates on 115 Volt / 60 Hz single phase.

MODEL:

(Must Specify Water Cooler)

- BFEZS168 Compact Bottle Filler, Stainless Steel Housing with Satin Finish Bottle Filler
- BFEZS168-BCD Compact Bottle Filler, Stainless Steel Housing with Satin Finish Bottle Filler with Bottle Counter Display

OPTIONS:

(Additional costs may apply.)

- LOGO Customer Specified Logo / Graphics
- 220V 220 Volt / 50 Hz or 60Hz Compressor

ACCESSORIES:

(Additional costs may apply. Accessory items are packaged separately.)

- WF1 1500-Gallon Capacity Water Filter¹
- WF3 3000-Gallon Capacity Water Filter¹

NOTES:

1- Refer to Supplemental Submittal Sheet for details.

Complies with the following standards:



NSF/ANSI/CAN 61

ANSI/ASHRAE 18

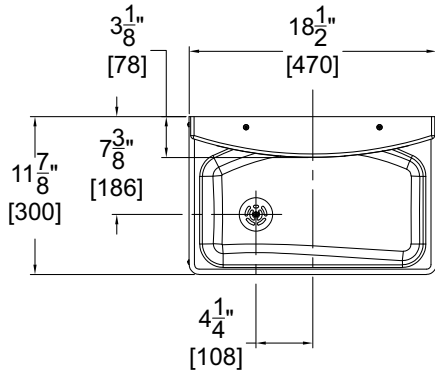
WARNING: Cancer and Reproductive Harm - www.P65Warnings.ca.gov

BOTTLE FILLER

EZREACH™

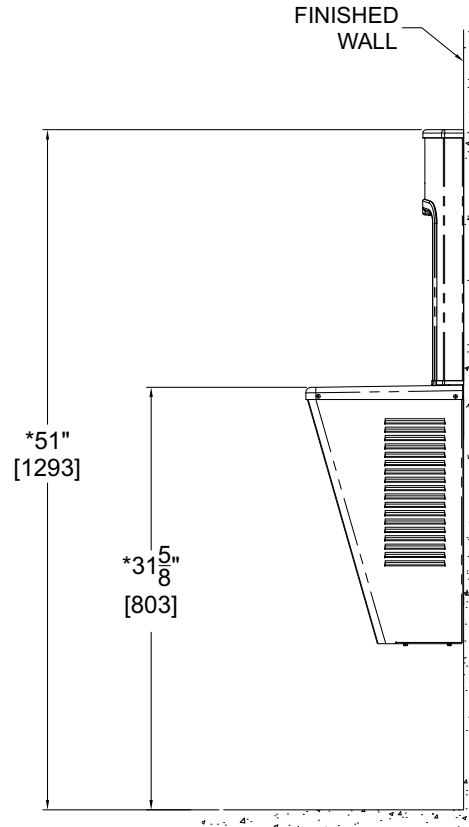
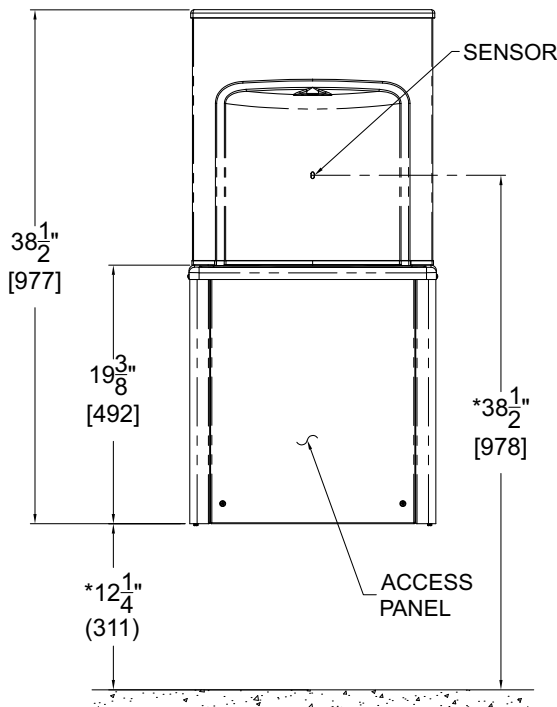
BASE MODEL BFEZS168

COMPACT, WALL MOUNTED, SENSOR OPERATED,
 REFRIGERATED BOTTLE FILLER



GENERAL NOTES:

1. ALL DIMENSIONS ARE IN INCHES [mm]
2. *DIMENSIONS SHOWN ARE FOR RECOMMENDED ADULT HEIGHT. ADJUST VERTICAL DIMENSIONS AS NECESSARY TO COMPLY WITH FEDERAL, STATE & LOCAL CODES.
3. P-TRAP AND INLET STOP NOT PROVIDED.
4. ALLOW 4 INCHES [102 MM] MINIMUM CLEARANCE PER SIDE FOR VENTILATION



SELECTION SUMMARY & APPROVAL FOR MANUFACTURING

Model Number & Options _____	Quantity _____
Company _____	
Contact _____	Title _____
Signature (Approval for Manufacturing) _____	Date _____

All dimensions are subject to manufactures tolerance of plus or minus 1/2" nominal and subject to change without notice. Murdock assumes no responsibility for use of void or superseded data. Dimensions may change with the addition of optional accessories. Murdock Mfg.™, Member of Morris Group International™. Please visit www.murdockmfg.com for most current specifications.