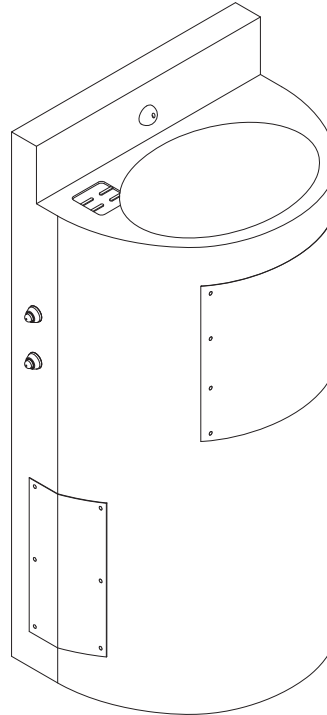


## ASHS-1013-06-FA Stainless Steel 18" Wide Front Mounted Ligature-resistant Lavatory

CAPE COD SYSTEMS  
888-227-8555  
WWW.CAPECODSYSTEMS.COM



*(Unit may be shown with optional features)*

To specify fixture and accessories, use the Model Number and Options page.

Example: To specify an 18" Wide, Front Mounted, Ligature-resistant Lavatory with ligature-resistant bubbler, dual temp. pneumatic metering valve, ligature-resistant pneumatic push buttons, and removable 'p'-trap

Use the following Willoughby Model Number:

ASHS-1013-06-FA-BPH-PML2-PBH-RPT

### Recommended Specifications

Stainless Steel, 18" Wide, Front Mounted, Ligature-resistant Lavatory shall be: Willoughby Model No. **ASHS-1013-06-FA** (Select from model number and options list on next page)

Fixture shall be fabricated from 14 GA., Type 304 stainless steel. The construction shall be all welded, with exposed stainless surfaces polished to a #4 satin finish.

Standard lavatory shall include:

- Oval-shaped bowl, 13" x 9-1/2" x 6" deep
- Stainless steel ligature-resistant bubbler/filler
- Slow drain with air vent
- (1-1/2") slip joint, cast brass union 'p'-trap
- (3) removable cabinet mounted panels attached with vandal resistant screws
- Self-draining soap dish
- 0.5 GPM flow rate

Anchoring shall be from the front with anchoring holes provided. Anchoring hardware by others. Unit requires no chase area for installation and maintenance.

### LIGATURE-RESISTANT DISCLAIMER

This product is designed to minimize ligature points. While every effort has been made to reduce the possibility of ligature points, this product does not eliminate all risks.

Ligature-Resistant products by Willoughby Industries are to be used in conjunction with, not as a replacement for, trained professionals.



**WARNING:** Cancer and Reproductive Harm

- [www.P65Warnings.ca.gov](http://www.P65Warnings.ca.gov)

visit our website at [www.willoughby-ind.com](http://www.willoughby-ind.com)  
5105 West 78th Street • Indianapolis, IN. 46268  
(317) 875-0830 • Fax: (317) 875-0837 • (800) 428-4065



MADE IN THE U.S.A.

# MODEL NUMBER AND OPTIONS:

## 1.) Base Model Number:

- ASHS-1013-06-FA      Stainless Steel, 18" Wide, Front Mounted,  
Ligature-resistant Lavatory

## 2.) Bubbler Selection:

- BPH Ligature-resistant Bubbler/Filler (Standard)  
 FLH Ligature-resistant Lav. Filler

## 3.) Lavatory Valve Selection:

- NV No Valve  
 PSL1 Single Temp. Pneumatic Non-metering  
 PSL2 Dual Temp. Pneumatic Non-metering  
 PML1 Single Temp. Pneumatic Metering  
 PML2 Dual Temp. Pneumatic Metering  
 E1L1 Single Temp. Electronic (pick control)\*  
 E1L2 Dual Temp. Electronic (pick control)\*

## 4.) Lavatory Valve Actuation:

- PBH Ligature-resistant Pneumatic Push Buttons  
 PZPB Ligature-resistant Piezo Electronic Push Buttons

## 5.) Electronic Controls\* (Must Use Electronic Push Button):

- WUCC-3010     Pneutronic     WMSII  
(The WUCC-3010 Control can be used to pair a Lavatory with a Toilet)

## 6.) Lavatory Waste:

- RPT Removable 'P'-Trap (Standard)  
 OV Lavatory Overflow  
 SLOW Slow Drain (Standard)

## 7.) Options:

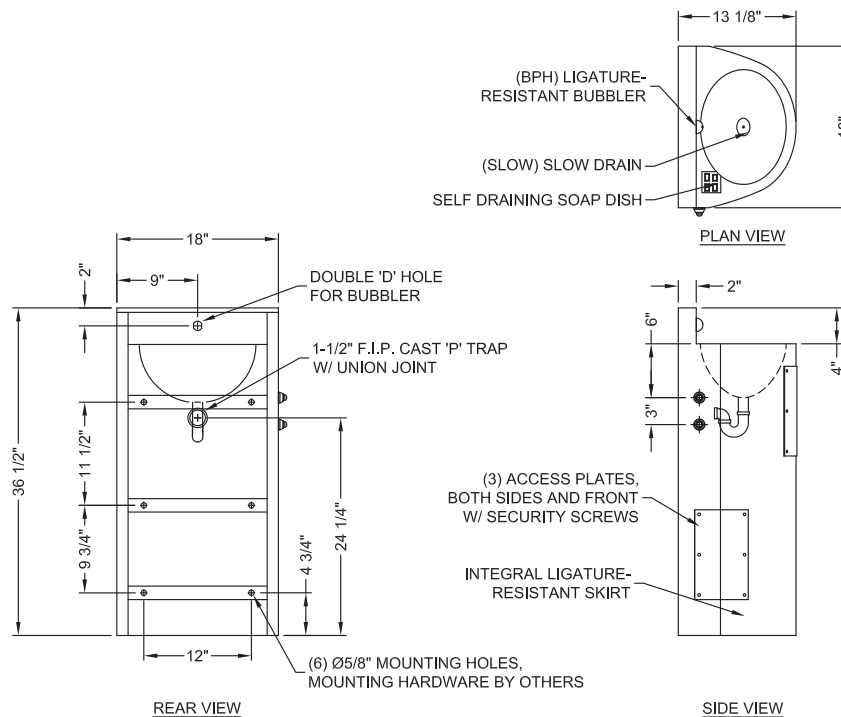
- MT Wall Template  
 TF24H Hard-wired Transformer, 110VAC to 24VAC\*  
 TF24P Plug-in Transformer, 110VAC to 24VAC\*  
 TH1 Single Towel Hook  
     Right                       Left  
 TH2 Dual Towel Hook  
     Right                       Left  
 Other: \_\_\_\_\_  
 Other: \_\_\_\_\_

\*(Req. 110V power through ground fault interrupter (GFCI) receptacle / breaker)

**CAPE COD SYSTEMS**  
**888-227-8555**  
**WWW.CAPECODSYSTEMS.COM**

Approved For Manufacturing By: \_\_\_\_\_ Date: \_\_\_\_\_ Company: \_\_\_\_\_  
Wall Thickness: \_\_\_\_\_ Wall Type: \_\_\_\_\_

**VERIFY ALL DIMENSIONS WITH FACTORY PRIOR TO ROUGH-IN**  
WILLOUGHBY RESERVES THE RIGHT TO MAKE CHANGES IN DESIGN AND DIMENSIONS WITHOUT FORMAL NOTICE AND WITHOUT INCURRING OBLIGATION.



**visit our website at [www.willoughby-ind.com](http://www.willoughby-ind.com)**  
5105 West 78th Street • Indianapolis, IN. 46268  
(317) 875-0830 • Fax: (317) 875-0837 • (800) 428-4065



MADE IN THE U.S.A.