



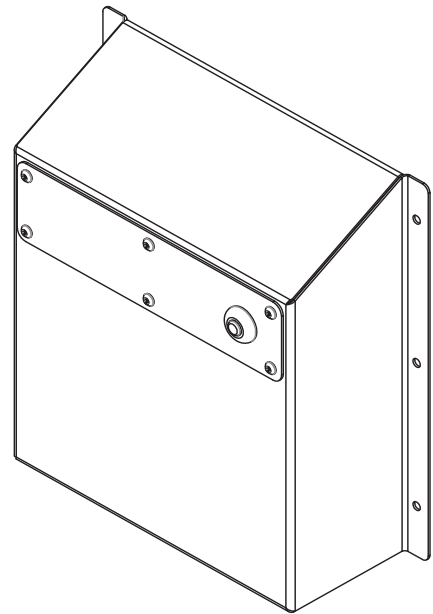
ASFVC-ADA Ligature-resistant ADA Compliant Flush Valve Cover

Stainless steel ligature-resistant ADA compliant flush valve cover shall be: Willoughby Option No. **ASFVC-ADA**

Flush valve cover shall be fabricated from 14 GA, Type 304 stainless steel with exposed stainless steel surfaces polished to a #4 satin finish. Flush valve cover is supplied with $\varnothing 5/16$ " mounting holes, anchoring hardware is provided by others. Flush valve cover shall have a ligature-resistant sloped top, radiused vertical corners, single access cover with a single push button hole for right or left hand toilet.

Options:

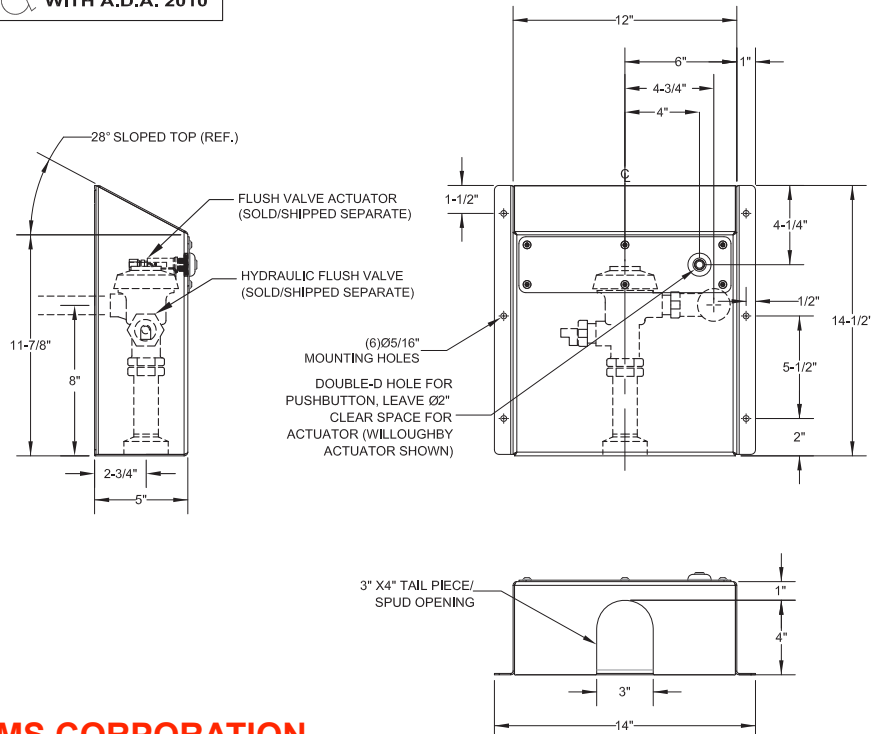
- DC Decorator Color (Fixture exterior only- White)
- For use with Willoughby push button actuator (double 'D' hole required)
- For use with Sloan push button actuator ($\varnothing 1-1/2$ " hole required)
- For use with another push button actuator (specify hole size: _____)



SHOWN WITH WILLOUGHBY 600317PM PUSH BUTTON



FOR SLOAN HYDRAULIC FLUSH VALVE



CAPE COD SYSTEMS CORPORATION

TEL. 1-888-227-8555

FAX. 1-508-888-8140

www.capecodsystemscompany.com



WARNING: Cancer and Reproductive Harm

- www.P65Warnings.ca.gov

