

11 | 10 | 9 | 8 | 7 | 6 | 5 | 4 | 3 | 2 | 1

CAPE COD SYSTEMS CORPORATION

TEL. 1-888-227-8555

www.capecodsystems.com



ACCURATE

LOCK & HARDWARE

AMERICAN CRAFTED SINCE 1972

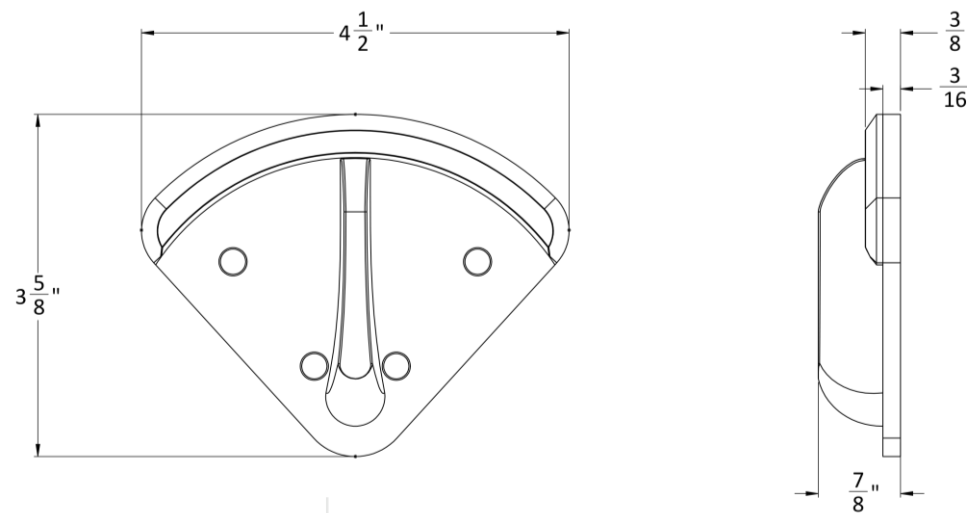
ALT-ADA THUMB TURN

The Ultimate Solution for Anti-Ligature and ADA Compliance

ALT-ADA-D THUMB TURN

Form Meets Function

- Lightweight, solid brass construction designed with institutional strength and durability
- 626/630, anti-microbial finish available
- Furnished with Torx® Security Screws
- For use with Accurate locks with a deadbolt.
Thumb turn has a wider rotation. Customizable for other manufacturers' locks.



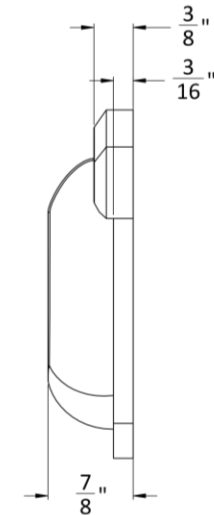
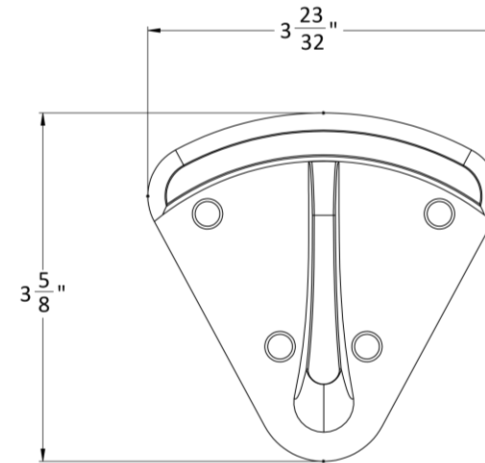
Customization available. Call for assistance.

ALT-ADA-D

ALT-ADA-P THUMB TURN

Form Meets Function

- Lightweight, solid brass construction designed with institutional strength and durability
- 626/630, anti-microbial finish available
- Furnished with Torx® Security Screws
- For use with Accurate locks without a deadbolt. Thumb turn has smaller rotation. Customizable for other manufacturers' locks.



Customization available. Call for assistance.

ALT-ADA-P

CUSTOM ALT-ADA THUMB TURNS

Form Meets Function

- Lightweight, solid brass construction designed with institutional strength and durability
- 626/630, anti-microbial finish available
- Furnished with Torx® Security Screws
- Customizable based on application: tubular deadbolts, custom applications



CUSTOM ALT-ADA FOR SCHLAGE TUBULAR DEADBOLT

