



# ELECTRIC DRINKING FOUNTAIN

## AL81.8 Series

### MODEL AL81408S

FULLY RECESSED, WALL MOUNTED  
ELECTRIC DRINKING FOUNTAIN

#### STANDARD FEATURES

- *Ligature Resistant*
- *18 Gage 304 Stainless Steel Cabinet*
- *16 Gage Galvanized or Galvannealed Mounting Frame*
- *Polished Stainless Steel, Anti-Rotation, Ligature Resistant Bubbler*
- *Copper Tube On Stainless Steel Tank Evaporator*
- *100-Mesh Inlet Strainer*
- *Vandal Resistant Screws*

#### SUGGESTED SPECIFICATIONS

Model AL81408S is a self-contained, Ligature Resistant, fully recessed pressure electric Drinking Fountain that shall deliver a minimum of **8.0 GPH** (30.3 LPH) of water at 50°F (10°C) cooled from 80°F (26.7°C) inlet water and 90°F (32.2°C) ambient. Unit shall be activated by a brass, chrome plated front Pushbutton using less than 5 pounds of force. Bubbler shall be Stainless Steel, Ligature Resistant and operate on a water pressure range of 20-105 PSIG. Cabinet Panels shall be constructed from 304 Stainless Steel and the Bowl shall have an integral Ligature Resistant Drain. Cooling system shall use R-134a refrigerant and be capillary tube regulated. An adjustable Thermostat with an off position shall regulate the Refrigeration System. Unit shall be listed by Underwriters Laboratories for both the US and Canada and is compliant to the Air Conditioning and Refrigeration Institute Standard 1010. Unit is certified to ANSI A117.1, Public Law 111-380 (NO-LEAD), CHSC 116875 and NSF/ANSI 61, Section 9. Unit shall still deliver ambient water temperature to the Bubbler in the absence of electrical power as long as there is a pressurized water supply.

Model Number	GPH*	Rated Watts	Full Load Amps	Approx. Shipping Weight
AL81408S	8.0	390	4.6	110 lbs.

\* GPH of 50°F water at 90°F ambient room temperature and 80°F inlet water temperature  
Compressor motor operates on 115 Volt / 60 Hz single phase.

Complies with the following standards:



NSF/ANSI 61



Test rating conditions are compliant with ARI 1010.



AL81408S-BF Shown

**"INDOOR USE ONLY"**

#### MODEL:

*(Must Specify)*

- AL81408S      Ligature Resistant Stainless Steel Bubbler

#### OPTIONS

*(additional costs may be incurred)*

- BF      Ligature Resistant Bottle/Cup Filler
- WF1      1500-Gallon Capacity, NSF 42+53, 1-Micron Lead Reduction Filter
- WF3      3000-Gallon Capacity, NSF 42+53, 1-Micron Lead Reduction Filter
- 220V      220 Volt/50 Hz or 60 Hz Compressor
- LBPH      Less Bubbler & Less Bubbler Pushbutton Actuator  
(Bottle/Cup Filler Pushbutton Actuator Located in Center)



Member of U.S. Green Building Council



Recyclable Product



Water Conserving Product



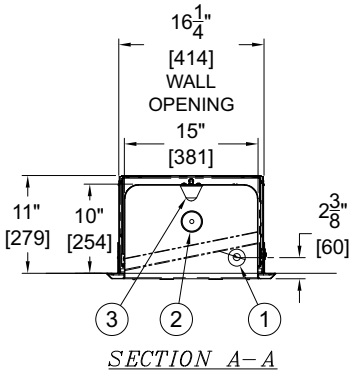
**ELECTRIC DRINKING FOUNTAIN**

**AL81.8 Series**

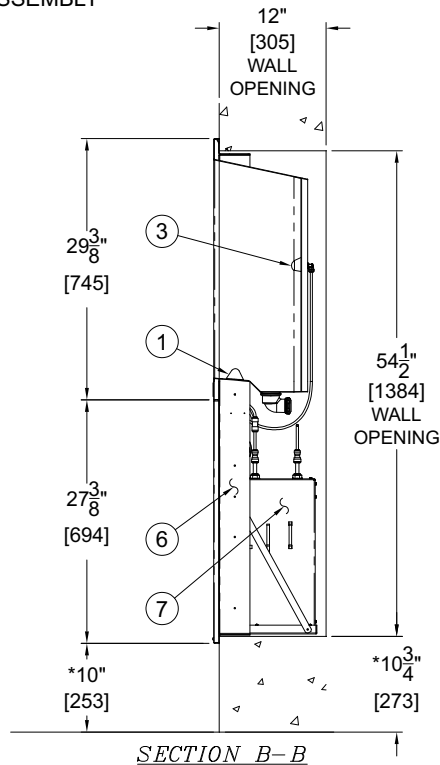
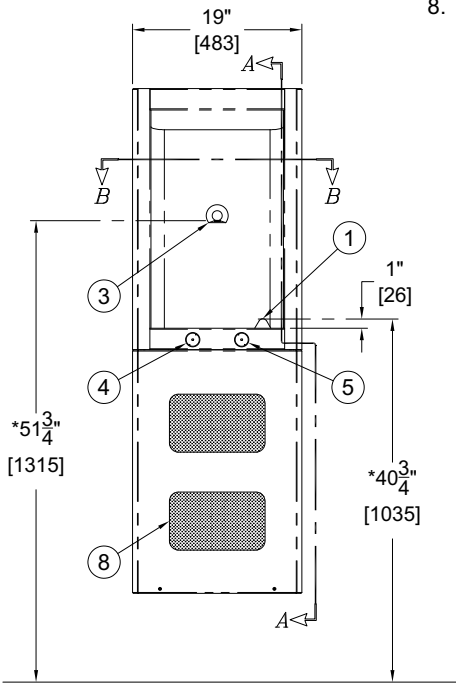
**MODEL AL81408S**

FULLY RECESSED, WALL MOUNTED  
ELECTRIC DRINKING FOUNTAIN

1. LIGATURE RESISTANT BUBBLER
2. LIGATURE RESISTANT STRAINER
3. OPTIONAL -BF LIGATURE RESISTANT CUP/BOTTLE FILLER
4. VANDAL RESISTANT PUSHBUTTON ACTUATOR FOR CUP/BOTTLE FILLER
5. VANDAL RESISTANT PUSHBUTTON ACTUATOR FOR BUBBLER
6. MOUNTING FRAME ASSEMBLY
7. 8.0 GPH CHILLER
8. VENTILATION PANEL



SECTION A-A



SECTION B-B

**GENERAL NOTES:**

1. ALL DIMENSIONS ARE IN INCHES [MM]
- \*2. DIMENSIONS SHOWN ARE FOR RECOMMENDED ADULT HEIGHT.  
ADJUST VERTICAL DIMENSIONS AS NECESSARY TO COMPLY WITH  
FEDERAL, STATE, & LOCAL CODES
3. STOP VALVE NOT PROVIDED

Murdock Mfg.™ warrants that its products are free from defects in material or workmanship under normal use and service for a period of one year from date of shipment. Murdock's liability under this warranty shall be discharged solely by replacement or repair of defective material, provided Murdock™ is notified in writing within one year from date of shipment, F.O.B. Industry, California.

**SELECTION SUMMARY & APPROVAL FOR MANUFACTURING**

Model Number & Options \_\_\_\_\_ Quantity \_\_\_\_\_

Company \_\_\_\_\_

Contact \_\_\_\_\_ Title \_\_\_\_\_

Signature (Approval for Manufacturing) \_\_\_\_\_ Date \_\_\_\_\_

All dimensions are subject to manufactures tolerance of plus or minus 1/2" nominal and subject to change without notice. Murdock assumes no responsibility for use of void or superseded data. Dimensions may change with the addition of optional accessories. Murdock Mfg.™, Member of Morris Group International™. Please visit [www.murdockmfg.com](http://www.murdockmfg.com) for most current specifications.