



WATER COOLERS

A172.8-UG Series

BASE MODEL A172108F-UG

BARRIER FREE, UNIVERSAL BI-LEVEL,
WALL MOUNTED WATER COOLER

STANDARD FEATURES

- Rough-Ins Match Other Manufacturer's for Easy Replacement
- EZ Door® Filter, 30-Second Filter Replacement Option
- Child or Adult ADA Compliant (When Properly Installed)
- Universal Bi-Level - Can Be Installed Left High Or Right High With No Additional Parts
- Apron and One-Piece Bottom Wrapper is Satin Finish Or Gray Powder Coat Finish
- Flexible, Low Flow, Anti-Microbial, Anti-Rotation, Non-Squirt Bubbler
- 100-Mesh Inlet Strainer
- Individual Hanging Brackets provided
- Auto-stop allows Cartridge and Strainer service without shutting off water supply
- Lead-Free

SUGGESTED SPECIFICATIONS

Model A172108F-UG is a bi-level, self-contained, pressure Water Cooler that shall deliver a minimum of **8.0 GPH** (30.3 LPH) of water at 50°F (10°C) cooled from 80°F (26.7°C) inlet water and 90°F (32.2°C) ambient. Unit shall be activated from an Anti-Microbial Pushbutton in the front, using less than 5 pounds of force. Bubblers shall deliver a 0.3 GPM flow, have a Flexible Guard with an integrally designed non-squirt feature and operate on a water pressure range of 20-105 PSIG. Basins shall be constructed from 304 Stainless Steel and have an Integral Drain. Cabinet shall be either Galvanized or Galvannealed Steel with Gray Powder Coat Finish or Stainless Steel with Satin Finish. Cooling system shall use R-134a Refrigerant and be Capillary Tube regulated. Unit shall be listed by Underwriters Laboratories for both the US and Canada and is to be compliant to ANSI/ASHRAE 18. Unit shall be certified to Public Law 111-380 (NO-LEAD) and NSF/ANSI/CAN 61. Fixture meets ADA, ADA Standing Person, and ADA Child requirements when mounted appropriately. Unit shall still deliver ambient water temperature to the Bubbler in the absence of electrical power as long as there is a pressurized water supply.

Model Number	GPH*	Rated Watts	Full Load Amps	Approx. Shipping Weight
A172108F-UG	8.0	335	4.1	137 lbs.

* GPH of 50°F water at 90°F ambient room temperature and 80°F inlet water temperature Compressor motor operates on 115 Volt / 60 Hz single phase.



Model A172108F-UG Shown
PATENT# 10,100,933



“RATED FOR INDOOR USE ONLY”

MODEL:

(Must Specify)

FLEXIBLE BUBBLER

- A172108F-UG Gray Finish (Standard - Shown)
- A172408F-UG Satin Stainless Finish

STAINLESS STEEL BUBBLER

- A172108S-UG Gray Finish
- A172408S-UG Satin Stainless Finish

OPTIONS:

(Additional costs may apply.)

- LOGO Customer Specified Logo / Graphics
- 220V 220 Volt / 50 Hz or 60Hz Compressor

ACCESSORIES:

(Additional costs may apply. Accessory items are packaged separately.)

- WF1EZ 1500-Gallon Capacity EZ Door® Filter¹
30-Second Replacement (Patent Pending)
- WF3 3000-Gallon Capacity Water Filter¹
- SK5 Cane Detection Skirt for Upper Unit¹
(Skirt finish provided to match model selected)

NOTES:

1 - Refer to Supplemental Submittal Sheet for Details.

Compatible Mounting Support Carrier

Jay R. Smith Mfg. Co. Figure # 0834-4P <https://www.JRSmith.com>

Complies with the following standards:



NSF/ANSI/CAN 61

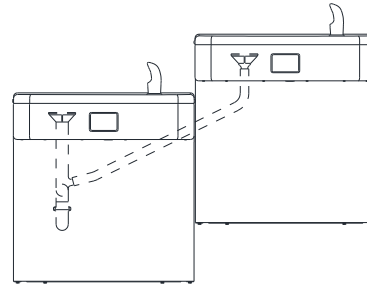
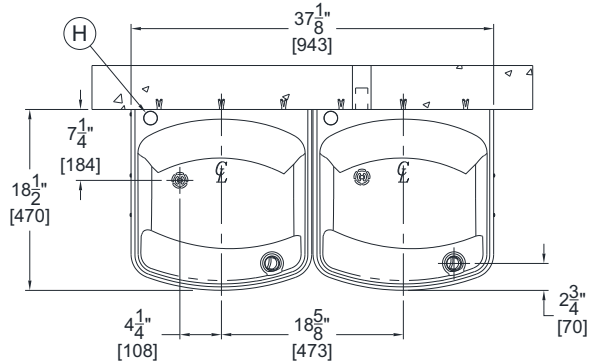
ANSI/ASHRAE 18

WARNING: Cancer and Reproductive Harm - www.P65Warnings.ca.gov

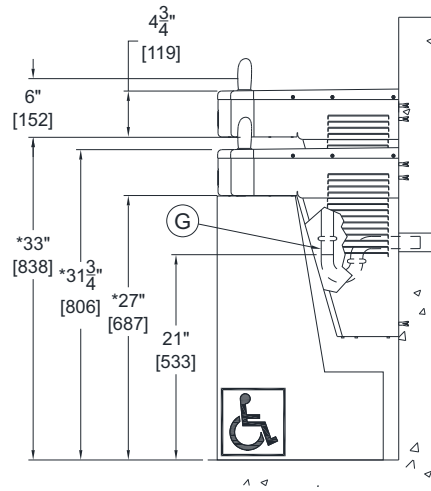
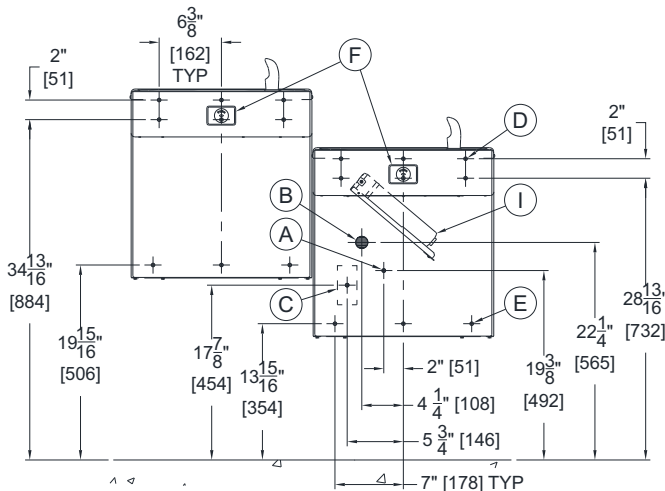
A172.8-UG Series

BASE MODEL A172108F-UG

BARRIER FREE, UNIVERSAL BI-LEVEL,
WALL MOUNTED WATER COOLER



ALTERNATE MOUNTING CONFIGURATION



GENERAL NOTES:

1. ALL DIMENSIONS ARE IN INCHES [MM]
2. ALLOW 4 INCHES [102MM] MINIMUM CLEARANCE PER SIDE FOR VENTILATION
- *3. DIMENSIONS SHOWN ARE FOR ADA ADULT HEIGHT. ADJUST VERTICAL DIMENSIONS AS NECESSARY TO COMPLY WITH FEDERAL, STATE & LOCAL CODES
4. STOP VALVE, P-TRAP & ELECTRICAL OUTLET NOT SUPPLIED
5. IMPORTANT: COOLERS MUST BE ATTACHED TO WALL WITH APPROPRIATE ANCHOR SCREWS

- A. 3/8" O.D. SUPPLY INLET
- B. WASTE OUTLET FOR P-TRAP BY OTHERS FOR PROVIDED 1-1/4" O.D. TAILPIECE
- C. ELECTRICAL SERVICE ROUGH
- D. Ø3/8" HANGER BRACKET PUNCHING, 6 PLACES FOR ANCHORING HARDWARE BY OTHERS
- E. Ø1/4" PUNCHING, 3 PLACES FOR ANCHORING HARDWARE BY OTHERS
- F. PUSHBUTTON CARTRIDGE
- G. 1-1/4" [32] O.D. TAILPIECE FOR P-TRAP BY OTHERS
- H. REMOVABLE PLUG FOR BOTTLE FILLER (-BF11 OR -BF12 ONLY)
- I. OPTIONAL -WF1EZ, EZ DOOR® FILTER

IMPORTANT: Dimensions are shown for reference only. Refer to product Installation Manual for complete details prior to Rough-in.

SELECTION SUMMARY & APPROVAL FOR MANUFACTURING

Model Number & Options _____ Quantity _____

Company _____

Contact _____ Title _____

Signature (Approval for Manufacturing) _____ Date _____

All dimensions are subject to manufacturer's tolerance of plus or minus 1/8" nominal and subject to change without notice. Murdock assumes no responsibility for use of void or superseded data. Dimensions may change with the addition of optional accessories. Murdock Mfg.™, Member of Morris Group International™. Please visit www.murdockmfg.com for most current specifications.