



WATER COOLERS

A151.8-VR-BF4 Series

BARRIER FREE, VANDAL RESISTANT, WALL MOUNTED WATER COOLER WITH SEMI-RECESSED SENSOR OPERATED BOTTLE FILLER

STANDARD FEATURES

- Both Child or Adult ADA Compliant (when properly installed)
- 18 Gage, 304 Stainless Steel Basin and flush mounted Chrome Plated Brass Button
- Polished Lead-Free Stainless Steel, anti-rotation non-squirt Bubbler or Flexible Low Flow Bubbler
- 100-Mesh Inlet Strainer
- Mounting Frame
- Trim Panel and Louvered Grille
- 1 G.P.M. Fill Rate (Bottle Filler)
- Laminar Flow Water Supply (Bottle Filler)
- 115v Plug-in Transformer (Bottle Filler)

SUGGESTED SPECIFICATIONS

Model A151408S-BF4 is a wall mounted, pressurized Vandal Resistant Water Cooler and Bottle Filler combination that shall deliver a minimum of **8.0 GPH** (30.3 LPH) of water at 50°F (10°C) cooled from 80°F (26.7°C) inlet water and 90°F (32.2°C) ambient. Unit shall be made from 18 gage, 304 stainless steel with a brushed finish. Water Cooler shall be activated by Chrome Plated Brass Pushbutton using less than 5 pounds of force, which activates internally mounted valves with adjustable stream regulators controlling the water flow. Bottle Filler activates using an Infrared Sensor. Cooling system shall use R-134a refrigerant and be Capillary Tube regulated. An Adjustable Thermostat with an "off" position shall regulate the refrigeration system. Bubbler shall be polished stainless steel with non-squirt features and operate on a water pressure range of 20-105 PSIG. Unit shall have uniquely designed, two-piece contoured Bowl with a P-Trap integral to the unit. Chiller shall be listed by Underwriters Laboratories for both the US and Canada and is compliant to the Air Conditioning and Refrigeration Institute Standard 1010. Fountain and Chiller are certified to ANSI A117.1, ANSI/NSF 61.9, Public Law 111-380 (NO-LEAD), and CHSC 116875. Fixture meets ADA, ADA Standing Person, and ADA Child requirements when mounted appropriately.

| Model Number | GPH* | Rated Watts | Full Load Amps | Approx. Shipping Weight |
|-----------------|------|-------------|----------------|-------------------------|
| A151408S-VR-BF4 | 8.0 | 390 | 4.6 | 130 lbs. |

*GPH of 50°F water at 90°F ambient room temperature and 80°F inlet water temperature. Compressor motor operates on 115 Volt / 60 Hz single phase.



MODEL: (Must Specify)

FLEXIBLE BUBBLER (LOW FLOW)

- A151208F-VR-BF4 Bronze Finish
- A151308F-VR-BF4 Gold Finish (High Polish)
- A151408F-VR-BF4 Satin stainless Finish

LEAD-FREE STAINLESS STEEL BUBBLER

- A151208S-VR-BF4 Bronze Finish
- A151308S-VR-BF4 Gold Finish (High Polish)
- A151408S-VR-BF4 Satin stainless Finish (Shown)

OPTIONS

(additional costs may be incurred)

- BCD Bottle Counter Display (Bottle Filler)
- HP High polished stainless steel
- WF1 1500 gallon capacity, NSF 42+53, 1 micron lead reduction filter
- 220V 220 volt / 50 Hz compressor (€€)

Cape Cod Systems Corporation
Tel. 1-888-227-8555
www.capecodsystems.com



Member of
U.S. Green
Building
Council



Recyclable
Product



Water
Conserving
Product

WARNING: Cancer and Reproductive Harm - www.P65Warnings.ca.gov

MURDOCK MFG. • 15125 Proctor Avenue • City of Industry, CA 91746 USA
 Phone 800-453-7465 or 626-333-2543 • Fax 626-855-4860 • www.murdockmfg.com

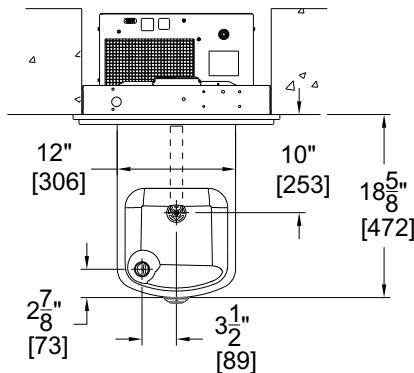
Member of
MORRIS GROUP
INTERNATIONAL



WATER COOLERS

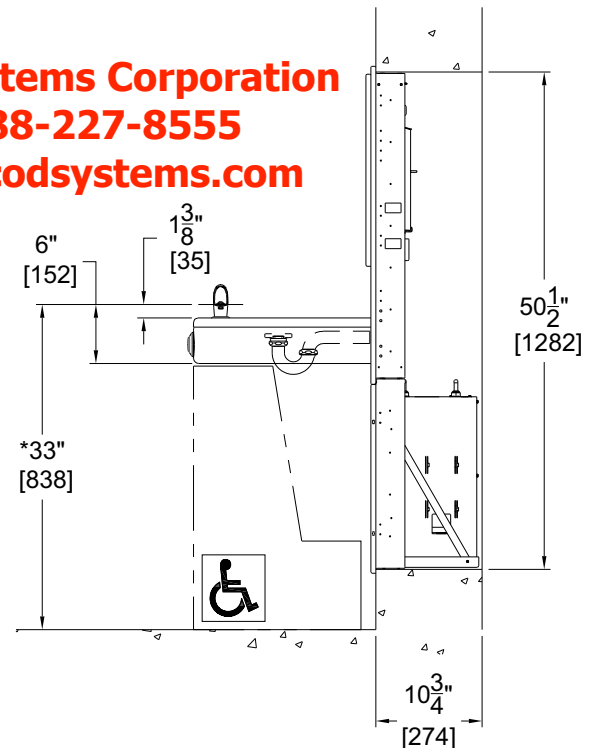
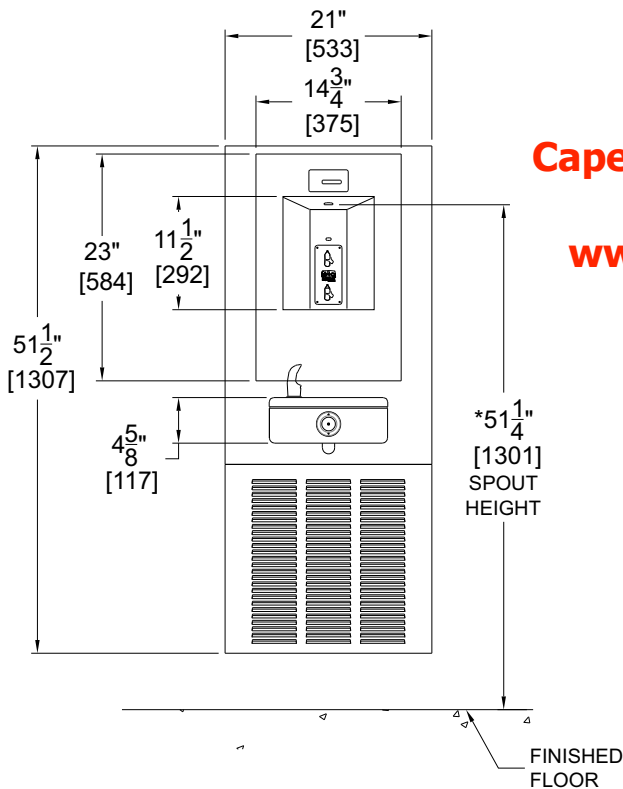
A151.8-VR-BF4 Series

BARRIER FREE, VANDAL RESISTANT, WALL MOUNTED WATER COOLER WITH SEMI-RECESSED SENSOR OPERATED BOTTLE FILLER



- GENERAL NOTES:
1. ALL DIMENSIONS ARE IN INCHES [MM]
 - *2. DIMENSIONS SHOWN ARE FOR RECOMMENDED ADULT HEIGHT. ADJUST VERTICAL DIMENSIONS AS NECESSARY TO COMPLY WITH FEDERAL, STATE, & LOCAL CODES

Cape Cod Systems Corporation
Tel. 1-888-227-8555
www.capecodsystems.com



Murdock Mfg.™ warrants that its products are free from defects in material or workmanship under normal use and service for a period of one year from date of shipment. Murdock's liability under this warranty shall be discharged solely by replacement or repair of defective material, provided Murdock™ is notified in writing within one year from date of shipment, F.O.B. Industry, California.

| | | | |
|--|--|----------------|--|
| SELECTION SUMMARY & APPROVAL FOR MANUFACTURING | Model Number & Options _____ | Quantity _____ | All dimensions are subject to manufactures tolerance of plus or minus 1/2" nominal and subject to change without notice. Murdock assumes no responsibility for use of void or superseded data. Dimensions may change with the addition of optional accessories. Murdock Mfg.™, Member of Morris Group International™. Please visit www.murdockmfg.com for most current specifications. |
| | Company _____ | | |
| | Contact _____ | Title _____ | |
| | Signature (Approval for Manufacturing) _____ | Date _____ | |

MURDOCK MFG. • 15125 Proctor Avenue • City of Industry, CA 91746 USA
 Phone 800-453-7465 or 626-333-2543 • Fax 626-855-4860 • www.murdockmfg.com

