

A132.8-VR-BF4 Series
MODEL A132408S-VR-BF4

BARRIER FREE, VANDAL RESISTANT, BI-LEVEL, WALL MOUNTED CHILLED DRINKING FOUNTAIN WITH SEMI-RECESSED SENSOR OPERATED BOTTLE FILLER

STANDARD FEATURES

- Child Or Adult Ada Compliant (When Properly Installed)
- 18 gauge, 304 Stainless Steel Basin and Flush Mounted Chrome Plated Brass Button
- Polished Stainless Steel, Vandal Resistant, Anti-rotation Non-squirt Bubbler
- 100-mesh Inlet Strainer
- Mounting Frame
- 32" Wide Trim Panel And Louvered Grille
- 1 G.P.M. Fill Rate (Bottle Filler)
- Laminar Flow Water Supply (Bottle Filler)
- 115v Plug-in Transformer (Bottle Filler)

SUGGESTED SPECIFICATIONS

Model A132408S-VR-BF4 is a Vandal Resistant, Wall Mounted, Pressurized Bi-Level Chilled Drinking Fountain and Bottle Filler combination that shall deliver a minimum of **8.0 GPH** (30.3 LPH) of water at 50°F (10°C) cooled from 80°F (26.7°C) inlet water and 90°F (32.2°C) ambient. Unit shall be made from 18 gauge, 304 Stainless Steel with a brushed finish. Unit shall be activated by Chrome Plated Brass Pushbutton using less than 5 pounds of force. Bottle filler activates using an Infrared Sensor. Cooling system shall use R-134a refrigerant and be Capillary Tube regulated. An Adjustable Thermostat with an off position shall regulate the refrigeration system. Bubblers shall be polished Stainless Steel with non-squirt features and operate on a water pressure range of 20-105 PSIG. Unit shall have uniquely designed, Two-Piece Contoured Bowls with P-traps integral to the unit. Chiller shall be listed by Underwriters Laboratories for both the US and Canada and is compliant to the Air Conditioning and Refrigeration Institute Standard 1010. Fountains and Chiller are certified to ANSI A117.1, NSF/ANSI 61, Section 9, Public Law 111-380 (NO-LEAD), and CHSC 116875. Fixture meets ADA, ADA Standing Person, and ADA Child requirements when mounted appropriately.



Model A132408S-VR-BF4 Shown
** U.S. DESIGN PATENT D545,607

"INDOOR USE ONLY"

MODEL:

(Must Specify)

FLEXIBLE BUBBLER (LOW FLOW)

- A132208F-VR-BF4 Bronze Finish
- A132308F-VR-BF4 Gold Finish (High Polish)
- A132408F-VR-BF4 Satin stainless Finish

LEAD-FREE STAINLESS STEEL BUBBLER

- A132208S-VR-BF4 Bronze Finish
- A132308S-VR-BF4 Gold Finish (High Polish)
- A132408S-VR-BF4 Satin stainless Finish (Shown)

OPTIONS

(additional costs may be incurred)

- BCD Bottle Counter Display (Bottle Filler)
- HP High Polished Stainless Steel
- RBL Reverse Bi-Level (Bottle Filler Opposite)
- SK4-18 Skirt Kit, Stainless Steel, for upper unit
- WF1 1500-gallon capacity, NSF 42+53, 1 micron Lead Reduction Filter
- WF3 3000-gallon capacity, NSF 42+53, 1 micron Lead Reduction Filter
- 220V 220 volt / 50 Hz Compressor (€ €)

Model Number	GPH*	Rated Watts	Full Load Amps	Approx. Shipping Weight
A132408S-VR-BF4	8.0	390	4.6	130 lbs.

*GPH of 50°F water at 90°F ambient room temperature and 80°F inlet water temperature. Compressor motor operates on 115 Volt / 60 Hz single phase.

Complies with the following standards:



Member of U.S. Green Building Council



Recyclable Product

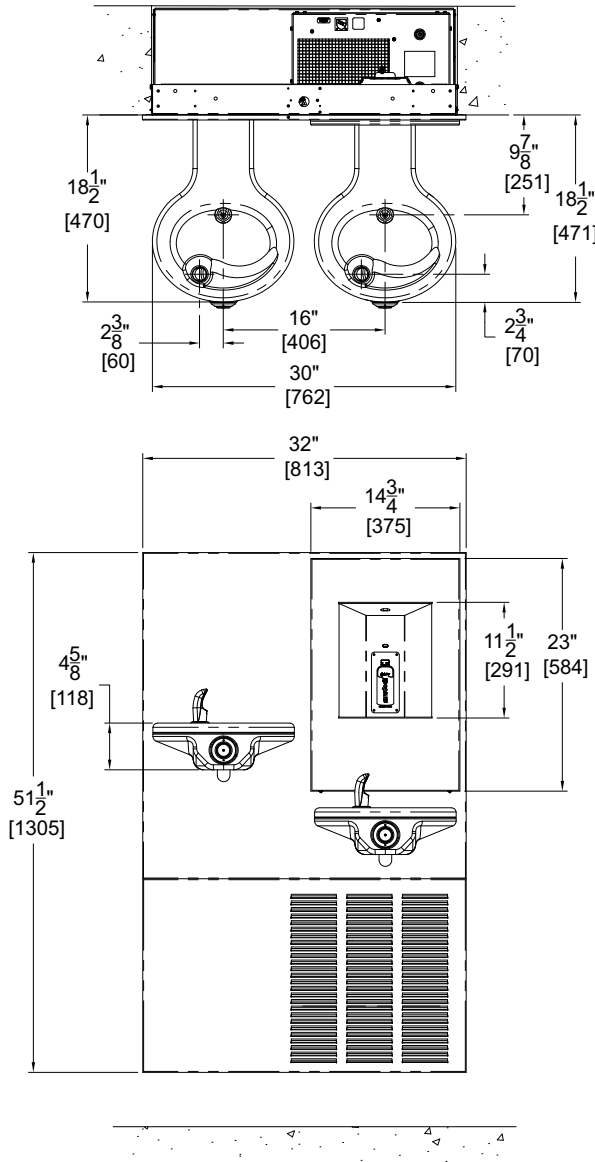


Water Conserving Product

WARNING: Cancer and Reproductive Harm - www.P65Warnings.ca.gov

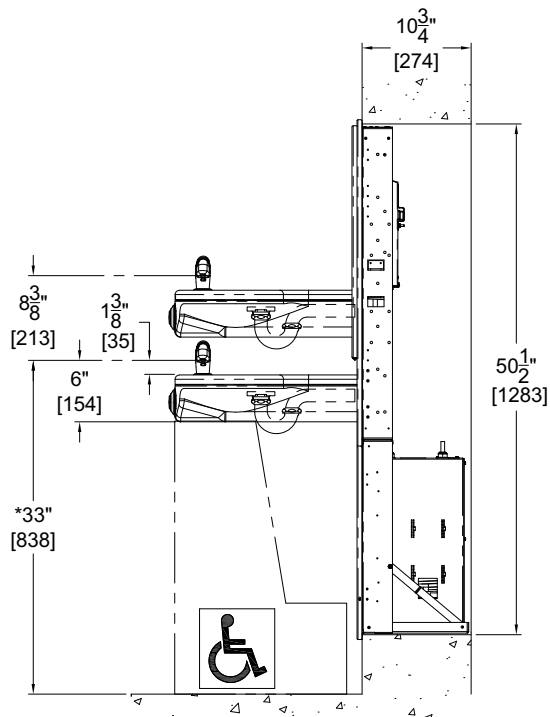
A132.8-VR-BF4 Series
MODEL A132408S-VR-BF4

BARRIER FREE, VANDAL RESISTANT, BI-LEVEL,
WALL MOUNTED CHILLED DRINKING FOUNTAIN
WITH SEMI-RECESSED SENSOR OPERATED
BOTTLE FILLER



GENERAL NOTES:

1. ALL DIMENSIONS ARE IN INCHES [MM]
- *2. DIMENSIONS SHOWN ARE FOR RECOMMENDED ADULT HEIGHT. ADJUST VERTICAL DIMENSIONS AS NECESSARY TO COMPLY WITH FEDERAL, STATE, & LOCAL CODES
3. WATER LINE FROM CHILLER TO FOUNTAIN SHOULD BE COVERED WITH SPONGE FOAM RUBBER OR ICE WATER TYPE INSULATION OF ADEQUATE THICKNESS



Murdock Mfg.™ warrants that its products are free from defects in material or workmanship under normal use and service for a period of one year from date of shipment. Murdock's liability under this warranty shall be discharged solely by replacement or repair of defective material, provided Murdock™ is notified in writing within one year from date of shipment, F.O.B. Industry, California.

SELECTION SUMMARY & APPROVAL FOR MANUFACTURING	Model Number & Options _____	Quantity _____	All dimensions are subject to manufactures tolerance of plus or minus 1/2" nominal and subject to change without notice. Murdock assumes no responsibility for use of void or superseded data. Dimensions may change with the addition of optional accessories. Murdock Mfg.™, Member of Morris Group International™. Please visit www.murdockmfg.com for most current specifications.
	Company _____		
	Contact _____	Title _____	
	Signature (Approval for Manufacturing) _____	Date _____	