



# BOTTLE FILLER

## BF2S Series

**MODEL: BF2S**

**HEAVY DUTY SENSOR OPERATED  
BOTTLE FILLER**

### STANDARD FEATURES

- Heavy Duty Stainless Steel Construction
- Hands Free Sensor Operation
- Lead Free
- 115v Plug-in Transformer
- Laminar Flow Water Supply
- 1 GPM Fill Rate (Min. Set Pressure 40 PSI)
- 100 mesh inlet strainer

### SUGGESTED SPECIFICATIONS

Model BF2S is a 9 volt Sensor Operated Heavy Duty Bottle Filler designed to be used with an Murdock A171 Series Barrier-Free Water Cooler. When installed properly, the Bottle Filler complies with ADA forward reach requirements. Cabinet shall be heavy gauge stainless steel with exposed surfaces polished to a #4 satin finish. Unit is certified to ANSI A117.1, Public Law 111-380 (NO-LEAD), CHSC 116875 and NSF/ANSI 61, Section 9.



Model BF2S-BCD Shown  
\*\*U.S. DESIGN PATENT D718,971 S

**"INDOOR USE ONLY"**

### MODEL:

(Must Specify)

- BF2S Heavy Duty Sensor Operated Bottle Filler

### OPTIONS

(additional costs may be incurred)

- BAT Battery Operated (N/A With Bottle Counter)
- BCD Bottle Counter Display
- WF1 1500 gallon capacity, NSF 42+53, 1 micron lead reduction filter <sup>1, 2</sup>

#### Options Notes:

<sup>1</sup> Water Filter is shipped loose for remote mounting or mounting within Water Cooler.

<sup>2</sup> Refer to Supplemental Sheet for additional information.

**Cape Cod Systems Corporation**  
**Tel. 1-888-227-8555**  
**www.capecodsystems.com**

Complies with the following standards:



Member of  
U.S. Green  
Building  
Council



Recyclable  
Product



Water  
Conserving  
Product

**WARNING: Cancer and Reproductive Harm - www.P65Warnings.ca.gov**

**MURDOCK MFG.** • 15125 Proctor Avenue • City of Industry, CA 91746 USA  
Phone 800-453-7465 or 626-333-2543 • Fax 626-855-4860 • [www.murdockmfg.com](http://www.murdockmfg.com)

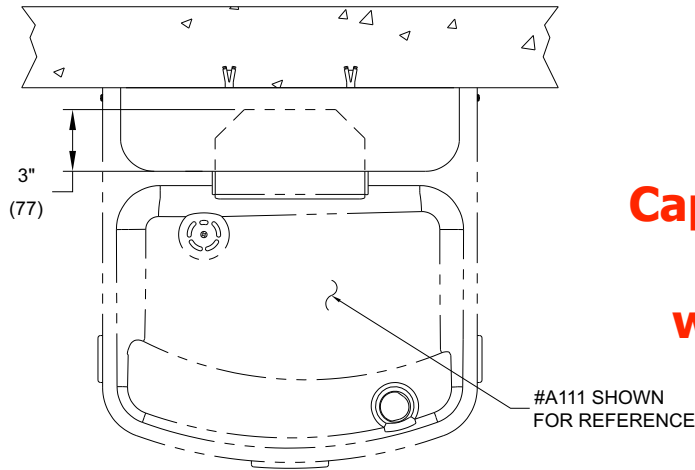
Member of  
**MORRIS GROUP**  
INTERNATIONAL



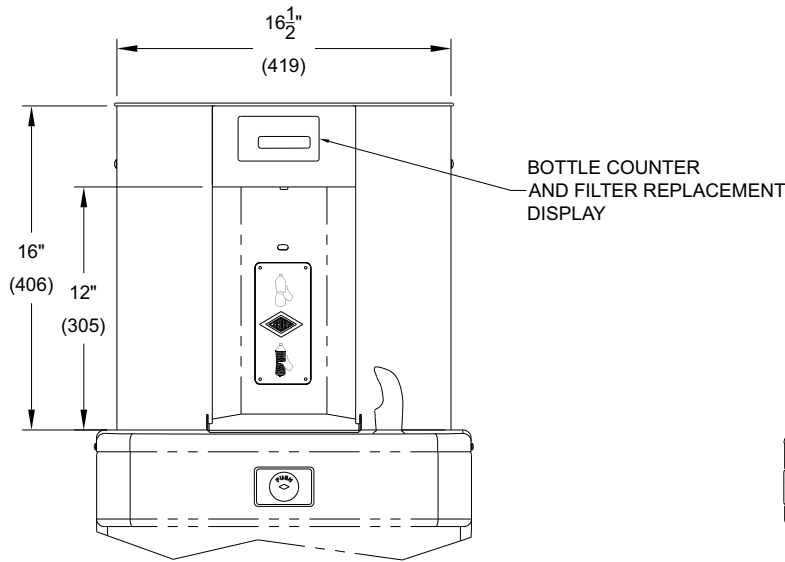
# BOTTLE FILLER

**BF2 Series**  
**MODEL A000000-BF2**  
 HEAVY DUTY SENSOR OPERATED  
 BOTTLE FILLER

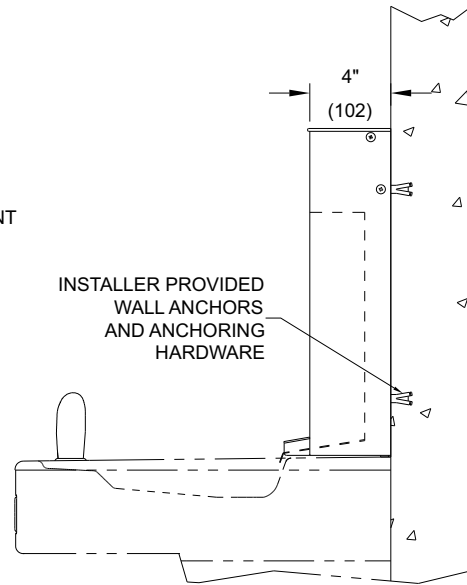
**Cape Cod Systems Corporation**  
**Tel. 1-888-227-8555**  
**www.capecodsystems.com**



TOP VIEW



FRONT VIEW



SIDE VIEW

GENERAL NOTES:  
 1. ALL DIMENSIONS ARE IN INCHES (MM).

Murdock Mfg.™ warrants that its products are free from defects in material or workmanship under normal use and service for a period of one year from date of shipment. Murdock's liability under this warranty shall be discharged solely by replacement or repair of defective material, provided Murdock™ is notified in writing within one year from date of shipment, F.O.B. Industry, California.

<b>SELECTION SUMMARY &amp; APPROVAL FOR MANUFACTURING</b>	Model Number & Options _____	Quantity _____	All dimensions are subject to manufactures tolerance of plus or minus 1/2" nominal and subject to change without notice. Murdock assumes no responsibility for use of void or superseded data. Dimensions may change with the addition of optional accessories. Murdock Mfg.™, Member of Morris Group International™. Please visit <a href="http://www.murdockmfg.com">www.murdockmfg.com</a> for most current specifications.
	Company _____		
	Contact _____	Title _____	
	Signature (Approval for Manufacturing) _____	Date _____	

**MURDOCK MFG.** • 15125 Proctor Avenue • City of Industry, CA 91746 USA  
 Phone 800-453-7465 or 626-333-2543 • Fax 626-855-4860 • [www.murdockmfg.com](http://www.murdockmfg.com)

Member of **MORRIS GROUP INTERNATIONAL**