



Whitehall Manufacturing
 Manufacturer of Healthcare and Rehabilitation Products since 1946

Medical Hose and Supply Box

CAPE COD SYSTEMS CORPORATION

TEL. 1-888-227-8555



W.D. Manor

by Whitehall Manufacturing

Recessed Stainless Steel Dialysis Box With Backflow Preventer, Trap Primer, Thermostatic Mixing Valve and Waste

www.capecodsystems.com

Division of
 Acorn Engineering Company



A MEMBER OF



US PATENT 9724457

8194

Fixture May Show Some Available Options

Stainless Steel Recessed Dialysis Box with Thermostatic Mixing Valve Supply boxes are intended for use with Dialysis Machines and include a Reduced Pressure Backflow Preventer and Trap Primer which eliminate the need for their installation in a remote location. The Trap Primer ensures periodic priming of the P-Trap waste fitting (supplied by others). A minimum of 3 PSI change in pressure in supply line (as a result of activating other fixtures) is needed to activate a metered amount of water to the P-Trap (Minimum discharge rate is 0.10 mL per pressure drop). The Backflow Preventer is typically a code requirement to protect the potable water source from possible contaminants generated by the Dialysis Machine. A Thermostatic Mixing Valve with Temperature Gauge is also provided to ensure water temperature is safely controlled for patient comfort.

Dialysis Water Supply and Waste Box includes a 1/2" Ball Valve Control, 3/4" NPSH Male Hose Supply Connection, Discharge Hose Bracket and a 2" IPS Drain Outlet. An additional Ball Valve is provided to isolate components for service and allow for testing and certification of Backflow Preventer. Plumbing Components are all lead free design and are pre-piped and factory tested. Exposed surface of Valves and Piping are factory coated to inhibit oxidation. Consult local codes for complete plumbing requirements.

Box is fully welded construction and fabricated from 18 gauge, type 304 stainless steel with exposed surfaces polished to a #4 satin finish. Door and Wall Flange are removable and include a Concealed Hinge which allows Door swing to approximately 180 degrees. Assembly may be reversed to position Hinge on preferred side. Door is provided with Knurled Knob Actuator to open. Box includes a Fold Down Drip Tray to protect Wall from wastewater. Tray resides within Box and may be folded down when Door is open. Mounting Tabs are provided to facilitate installation within Wall. *Note: Unit is not intended for use with RO or DI water supply.*

Assembly has the following certifications:

Please visit www.whitehallmfg.com for most current specifications.



Federal Public Law
 111-380 (No Lead)



ASME A112.18.1/CSA B125.1
 ASME A112.21.3M



ASSE 1070V
 ASME A112.107V
 CSA B125.70



NSF/ANSI 61 Section 1417(d) of the Federal Safe Drinking Water Act. Section 116875 of the California Health & Safety Code NSF/ANSI 372

GUIDE SPECIFICATION

Provide and install W.D. Manor by Whitehall Recessed Dialysis Supply and Waste Box. Unit shall include Trap Primer and Reduced Pressure Backflow Preventer and Thermostatic Mixing Valve with Temperature Gauge. Trap Primer shall provide a metered amount of water to the P-Trap with minimal pressure drop. Provide Ball Valve to isolate components for service and allow for testing and certification of Backflow Preventer (*Consult local codes for complete plumbing requirements*). Box shall include a 1/2" Ball Valve, 3/4" NPSH Male Hose Supply Connection, Discharge Hose Bracket and a 2" IPS Drain Outlet. Valves and plumbing components shall be lead free design and shall include coating to inhibit oxidation. Box shall be welded construction of 18 gauge type 304 stainless steel with exposed surfaces polished to a #4 satin finish. Provide removable Wall Flange and Door with Knurled Knob Actuator to open and Concealed Hinge to allow for opening Door approximately 180 degrees. Provide Drip Tray which may be folded down when Door is open to protect Wall. Box shall include Mounting Tabs for installation.

Backflow Preventer conforms with following standards:

USC Manual 8th Edition CSA B64.4
 ASSE No. 1013 IAPMO File No. 156
 AWWA C511-92

Backflow Preventer is certified for the following:



Trap Primer is certified for the following:



Thermostatic Mixing Valve is certified for the following:



NSF/ANSI 61 Section 1417(d) of the Federal Safe Drinking Water Act. Section 116875 of the California Health & Safety Code NSF/ANSI 372



BASE MODEL NUMBER (Must Specify)

- 8194 Dialysis Box with Backflow Preventer, Thermostatic Mixing Valve and Wall Flange with Door

PRODUCT OPTIONS:

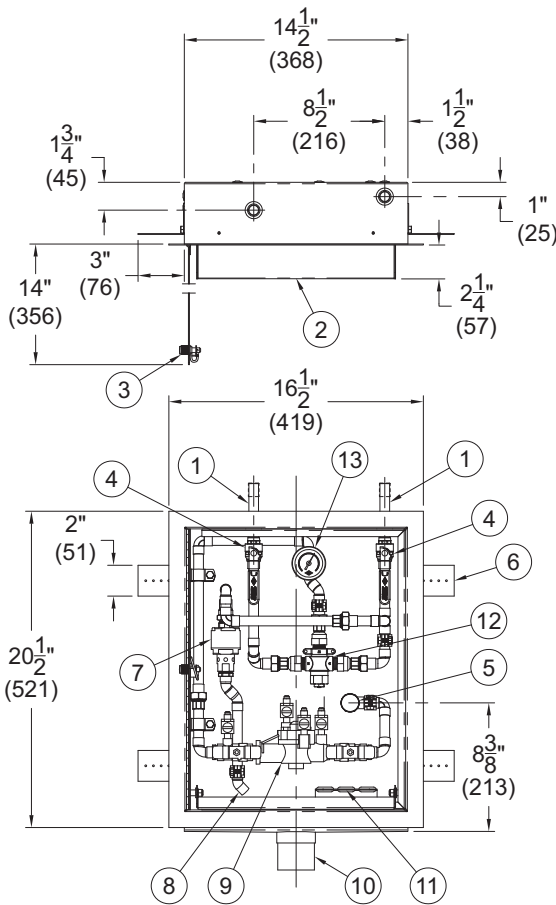
- LDR Less Door (with frame only)
- LTP Less Trap Primer

CAPE COD SYSTEMS CORPORATION

TEL. 1-888-227-8555

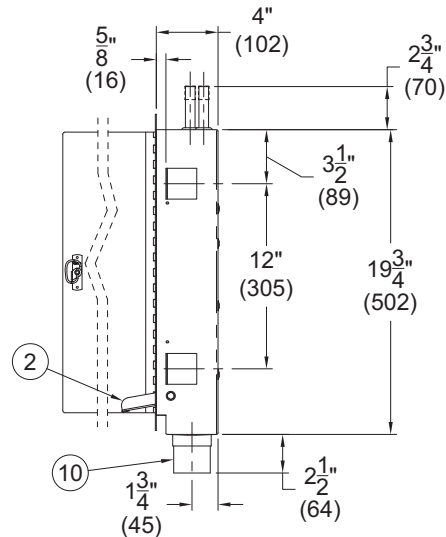
www.capecodsystems.com

Note: Manufacturing Agreement between Whitehall Mfg. and W.D. Manor Mechanical Contractors Inc. exists for Models WDMDB-1 and WDMDB-TMV. Licensing Affidavit on file.



NOTES:

1. 1/2" NCT SUPPLY INLETS (CAPPED FOR SHIPPING)
2. DROP-DOWN DRIP TRAY
3. KNURLED DOOR KNOB ACTUATOR
4. SUPPLY SHUT-OFF BALL VALVES
5. 3/4" MALE HOSE CONNECTION (SHOWN CAPPED)
6. (4) MOUNTING TABS
7. TRAP PRIMER
8. TRAP PRIMER OUTLET
9. BACKFLOW PREVENTER
10. 2-3/8" O.D. WASTE CONNECTION
11. DISCHARGE HOSE BRACKET
12. THERMOSTATIC MIXING VALVE
13. TEMPERATURE GAUGE



8194

IMPORTANT: Refer to Installation Instructions for complete rough-in and technical data.

WARNING: Cancer and Reproductive Harm - www.P65Warnings.ca.gov

SELECTION SUMMARY & APPROVAL FOR MANUFACTURING

Model Number & Options _____ Quantity _____
 Company _____ Date _____
 Contact _____ Title _____
 Approval for Manufacturing/Signature _____

All dimensions are nominal and subject to manufacturer's change without notice. Whitehall assumes no responsibility for use of void or suspended data © Whitehall Manufacturing, Member of Morris Group International. Please visit www.whitehallmfg.com for most current specifications.