



#### Mirror with roll-formed channel frame and theft-resistant mounting:

Model 7815-XXXX (Specify width and height)

Model 7815-2436 is **Bradex**<sup>®</sup>

### Product Materials

**FRAME:** one-piece, roll-formed stainless steel with bright annealed finish. Channel is 3/4" x 3/4" x 1/16" with 90° mitered corners. Double strength continuous integral stiffener on all sides for added strength.

**BACK:** galvanized steel.

**MIRROR:** first quality 1/4" float glass, thermosetting infrared-cured paint backing with Poly-Glaze protective finish. Manufactured in accordance with ASTM C 1036 and ASTM C 1503. All edges protected by shock-absorbing, neoprene tubing. The back of the mirror is protected by a sheet of 1/4" extruded polystyrene, which is placed between the mirror and the galvanized steel.

**SHELF:** 18 gauge stainless steel with exposed surfaces in architectural satin finish. Flanged front and side, welded to frame.

**SHELF BRACKETS:** 16 gauge stainless steel are provided on units exceeding 48" width.

### Optional Features

Features	Suffix
<input type="checkbox"/> 1/4" tempered glass mirror in lieu of polished float glass mirror*	-2
<input type="checkbox"/> Laminate glass	-3
<input type="checkbox"/> Highly polished No. 8 architectural finish, 20 gauge stainless steel in lieu of polished float glass mirror	-4
<input type="checkbox"/> Bright annealed 20 gauge stainless steel in lieu of polished float glass mirror	-5
<input type="checkbox"/> Plexiglas <sup>®</sup>	-6

\*Either the Length (L) or the Width (W) must be greater than 25".

- An inherent characteristic of a manufacturing process for tempered glass is distortion which may vary from mirror to mirror.
- Stainless steel mirrors will differ in optic quality from glass mirrors.
- In larger sizes, stainless mirrors are subject to distortion and/or "oil canning" for which Bradley Corporation cannot accept responsibility.
- Bradley mirrors are not field interchangeable from horizontal to vertical or vice versa. **Always specify width first.**

### Installation

Verify all rough-in dimensions prior to installation. Secure concealed mounting bracket to wall with screws (not included) at holes provided. Mounting kits available through Bradley (ref. #899-026). For more information, visit [bradleycorp.com](http://bradleycorp.com). Provide in-wall backing at mounting screw locations. Position mirror over mounting bracket to engage hanger tabs. Slide mirror down and lock into position.



### Guide Specification

Mirror shall be framed with one-piece, roll-formed stainless steel with 3/4" face and neatly mitered corners. Double strength continuous integral stiffener on all sides. Back of unit shall be galvanized steel. Separate mounting brackets for concealed mounting. Integral 18 gauge stainless steel shelf shall have front and side flanges with welded and polished corners. Mirror shall be of first quality 1/4" polished float glass, guaranteed for 15 years against silver spoilage and protected by shock-absorbing, neoprene tubing with Poly-Glaze protective finish.

**Framed Mirror shall be Bradley Model 7815-\_\_\_\_\_ " W x \_\_\_\_\_ " H (specify width and height).**

Model 7815 series channel-frame mirrors can be fabricated to a maximum size of 96"W x 60"H.

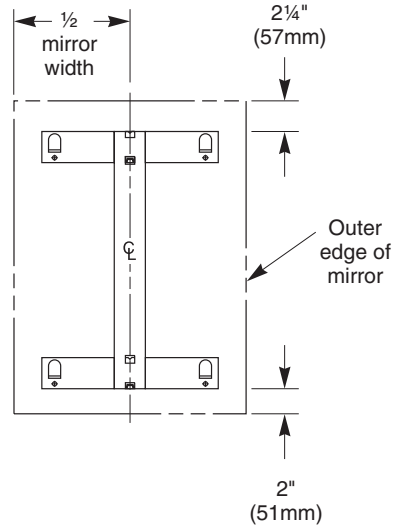
### ADA Compliant

- Consult local and national accessibility codes for proper installation guidelines.
- Conformity and compliance to local and national codes is the responsibility of the installer.

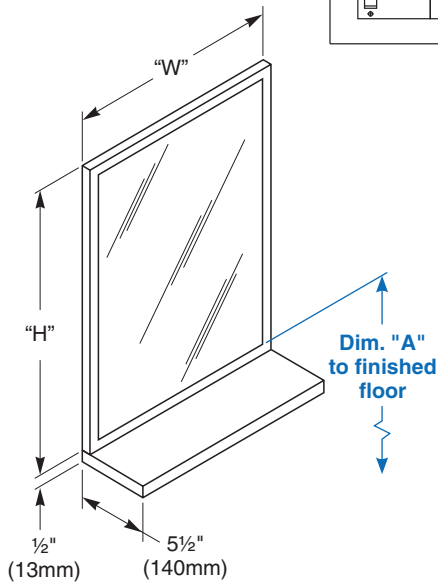
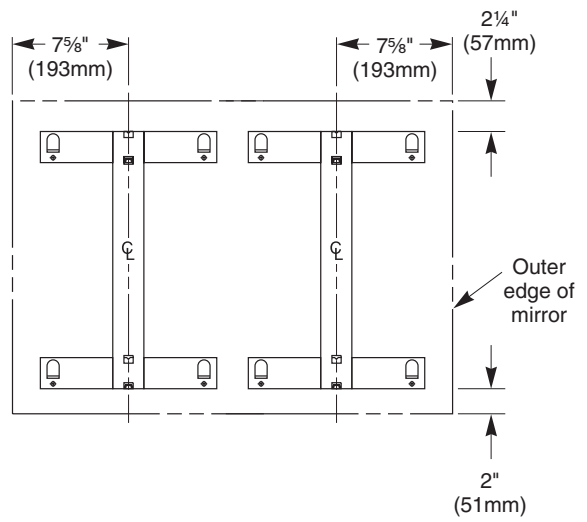


**Dimensions**

**MIRRORS 30" WIDE AND UNDER**



**MIRRORS OVER 30" WIDE**



<b>Dim. "A" Key Surface:</b>	For Dim. "A"	Bottom of Unit
Mirror's bottom edge of the reflecting surface to finished floor	40" (1016mm)	38 3/4" (984mm)
	37" (940mm)	35 3/4" (908mm)
	34" (864mm)	32 3/4" (832mm)
<b>Rough wall opening:</b>		
Surface Mount:	No rough wall opening, see overall dimensions	