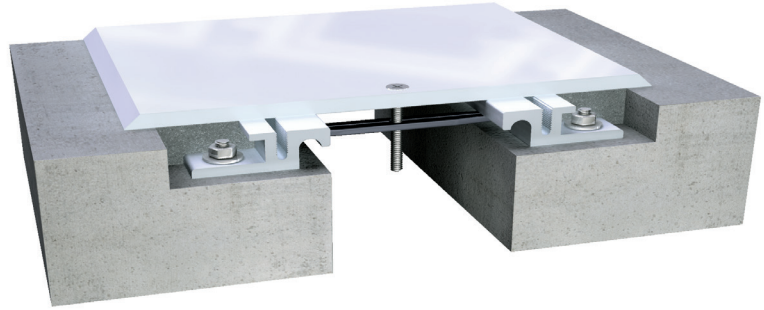


741 Series

A01 - Floor to Floor



Movement Rating ± 50%

Product
Guide



Seismic



Exterior



Interior



Heavy Duty



Fire Rated
Option



Vapor Barrier
Option



ADA

- ▶ Cost-effective option for a high load bearing system ideal for vehicular traffic areas such as parking garages and warehouses
- ▶ Engineered for pneumatic and solid tires
- ▶ Stainless steel plate available

Application	System	W		H1		H2		S		B		Movement +/-			
		Joint Width		Frame Height 1		Height 2		Sightline		Blockout		Horizontal		Vertical	
		US	mm	US	mm	US	mm	US	mm	US	mm	US	mm	US	mm
Floor to Floor	741-A01-050	2"	50	1"	25	*	*	8 1/2"	216	3 1/4"	83	1"	25	1"	25
	741-A01-100	4"	100	1"	25	*	*	11 3/4"	298	3 1/4"	83	2"	50	2"	50
	741-A01-150	6"	150	1"	25	*	*	14 1/2"	368	3 1/4"	83	3"	75	3"	75

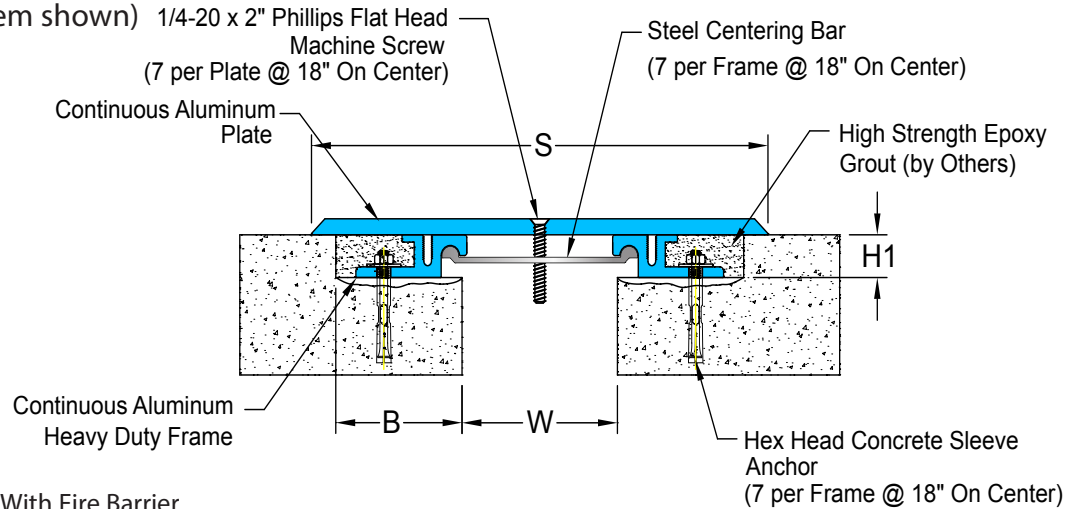
Available in larger widths, please contact InPro Corporation for more details.

741 Series

Heavy Duty Seismic Floor and Wall Systems

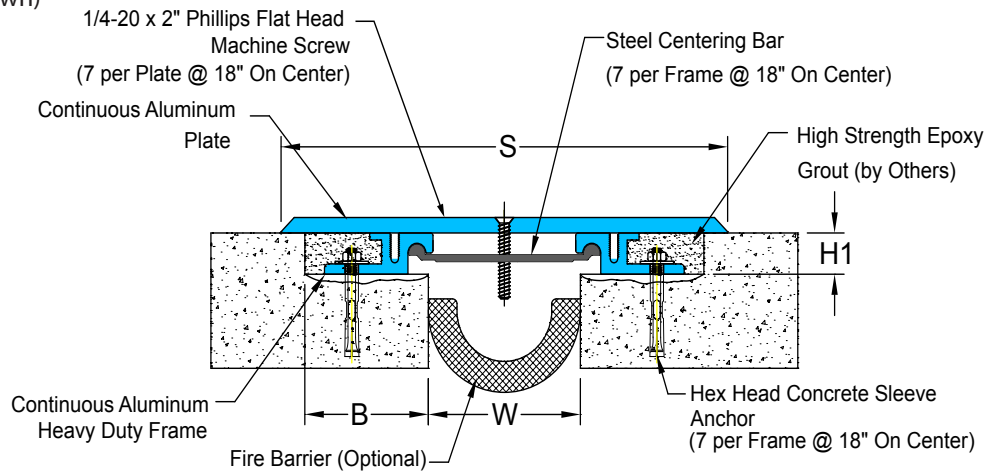
741-A01 Floor/Floor

(4" (100mm) system shown)



741-A01 Floor/Floor With Fire Barrier

(4" (100mm) system shown)



741-A01 Floor/Floor With Vapor Barrier

(4" (100mm) system shown)

