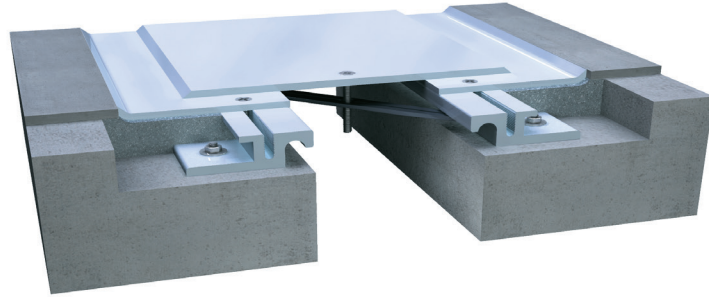


725 Series

A01 - Floor to Floor

A02 - Floor to Wall



Movement Rating ± 50%

Product Guide



Seismic



Exterior



Interior



Heavy Duty



Fire Rated
Option



Vapor Barrier
Option

- ▶ Ideal system for stadium, warehouses, trolley access, etc.
- ▶ Seismic capable system with high strength center bar
- ▶ Accommodates expansion joint widths from 2-24" (50-600mm)
- ▶ Highly customizable system allows for varying plate thicknesses of aluminum or stainless steel materials that can meet any projects loading requirements
- ▶ Heavy duty system
- ▶ 721 Series- All aluminum components for a more cost effective system
- ▶ 723 Series- High strength system with stainless steel cover and aluminum wings
- ▶ 725 Series- All stainless steel components for a high end look and high end strength
- ▶ Available in larger widths, contact Inpro Corporation for more details

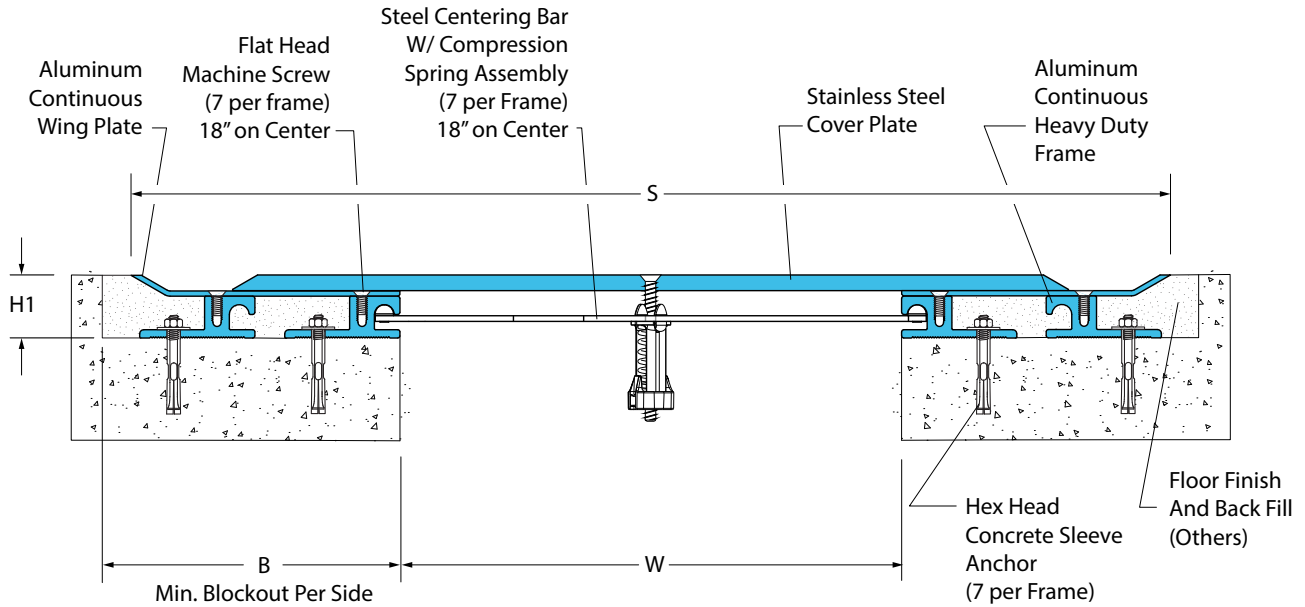
Application	System (421)	W		H1		H2		S		B		Movement +/-			
		Joint Width		Frame Height 1		Height 2		Sightline		Blockout		Horizontal		Vertical	
		US	mm	US	mm	US	mm	US	mm	US	mm	US	mm	US	mm
Floor to Floor	725-A01-100	4"	100	1 3/8"	35	*	*	11 3/8"	290	4 3/4"	120	2"	51	1"	25
	725-A01-150	6"	150	1 3/8"	35	*	*	14 3/8"	367	5 1/4"	132	3"	76	1 1/2"	38
	725-A01-200	8"	200	1 3/8"	35	*	*	17 3/8"	443	5 3/4"	146	4"	102	2"	51
	725-A01-300	12"	300	1 1/2"	38	*	*	24 7/8"	632	7 1/2"	189	6"	152	3"	76
	725-A01-400	16"	400	1 1/2"	38	*	*	30 7/8"	784	8 1/2"	216	8"	203	4"	102
	725-A01-450	18"	450	1 1/2"	38	*	*	33 7/8"	860	9"	229	9"	229	4 1/2"	114
Floor to Wall	725-A02-100	4"	100	1 3/8"	35	*	*	7 3/4"	196	4 3/4"	120	1"	25	1/2"	13
	725-A02-150	6"	150	1 3/8"	35	*	*	10 1/4"	259	5 1/4"	132	1 1/2"	38	3/4"	19
	725-A02-200	8"	200	1 3/8"	35	*	*	12 3/4"	323	5 3/4"	146	2"	51	1"	25
	725-A02-300	12"	300	1 1/2"	38	*	*	18 3/8"	468	7"	178	3"	76	1 1/2"	38
	725-A02-400	16"	400	1 1/2"	38	*	*	23 3/8"	595	8 1/2"	216	4"	102	2"	51
	725-A02-450	18"	450	1 1/2"	38	*	*	25 7/8"	659	9"	229	4 1/2"	114	2 1/4"	57

Available in larger widths, please contact InPro Corporation for more details.

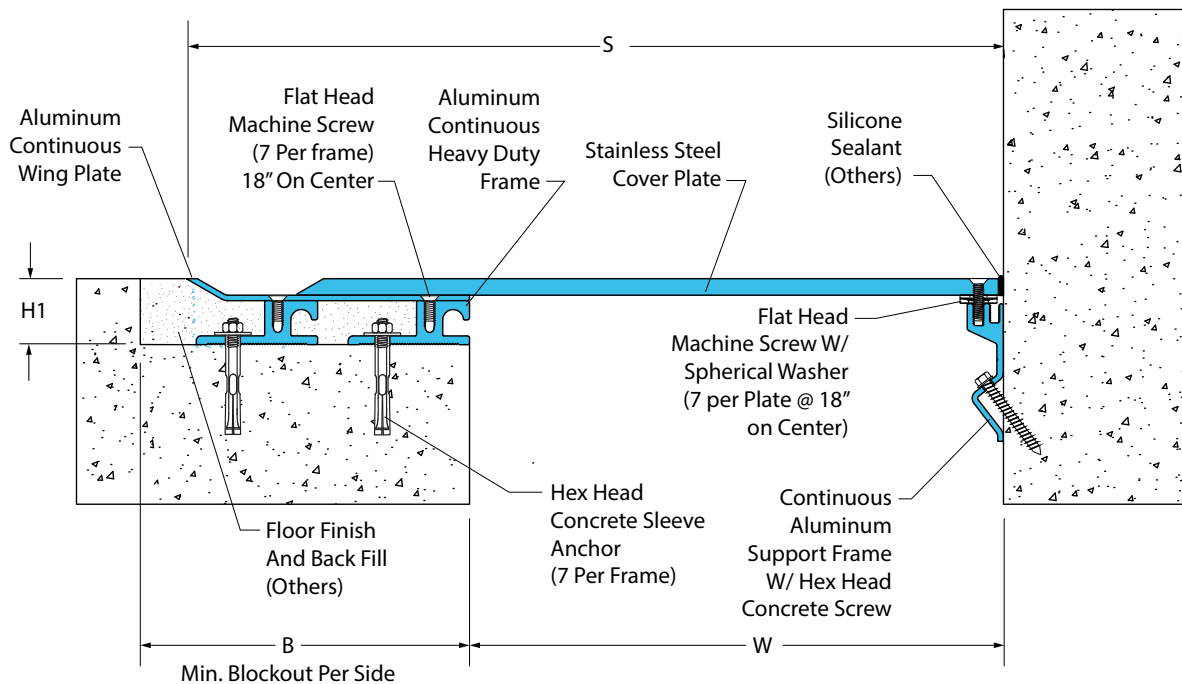
725 Series

Heavy Duty Center Bar Seismic Floor Systems

725-A01 Floor/Floor (12" (300mm) system shown)



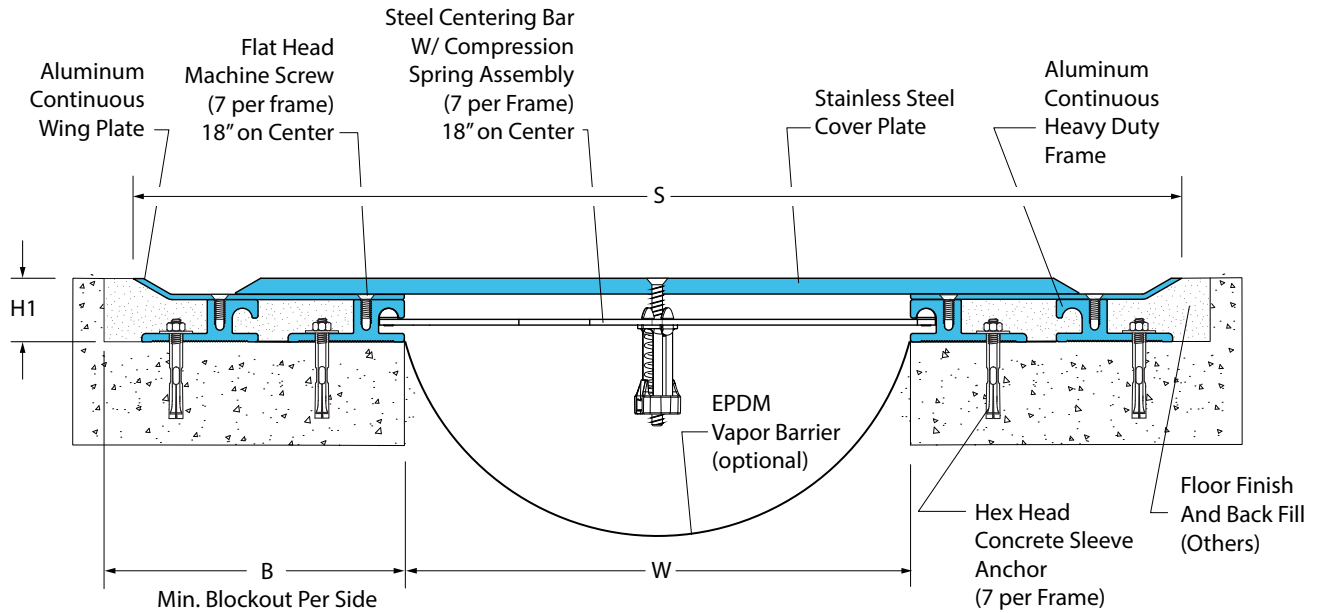
725-A02 Floor/Wall (12" (300mm) system shown)



725 Series

Options

Wrap Around Vapor Barrier (725-A01-300 system shown)



Fire Blanket System (725-A01-300 system shown)

