

CAPE COD SYSTEMS CORPORATION



TEL. 1-888-227-8555

5961 & 5961-11

Combination Unit – Seat Cover Dispenser/Dual Roll Tissue Dispenser w/ Waste Receptacle

Model 5961 – Recessed **Bradex**[®] Model 5961-11 – Surface-Mounted

Key Features

- All-in-one, space saving unit featuring a toilet seat cover dispenser, waste receptacle, and toilet tissue dispenser
- Fully constructed out of 18 and 22 gauge Type 304 stainless steel for increased durability
- Both mounting styles are ADA compliant and allow for optional grab bar mounting above the unit (grab bars must be ordered separately)

Product Materials

CABINET: 22 gauge stainless steel with exposed surfaces in architectural satin finish. Welded construction with burr-free edges.

FLANGE: 22 gauge stainless steel with exposed surfaces in architectural satin finish. One-piece seamless construction, 1" wide with ¼" return.

DOOR: 18 gauge stainless steel with full-length piano hinge and tumbler lock keyed like other Bradley units.

PUSH FLAP DOOR: 18 gauge stainless steel with exposed surfaces in architectural satin finish. Self-closing, with heavy-duty stainless steel piano hinge.

WASTE RECEPTACLE: Stainless steel. Capacity of .46 gal.

Capacity

Toilet Tissue Dispensers — Two standard size rolls.

Operation

Hinged access door permits servicing of both seat cover and waste from the same side.

Installation

Verify all rough-in dimensions prior to installation. Requires rough wall opening 26³/₈" W x 12¹/₄" H x 4" D. Secure with mounting screws (not included) at holes provided.

Guide Specification

Recessed combination unit shall include toilet seat cover dispenser, dual standard size toilet tissue dispensers, and napkin disposal, and be fabricated of stainless steel with seamless exposed surfaces in satin finish. Doors shall be 18 gauge, 304 stainless steel, with piano hinge and tumbler locks.

Overall dimensions: 28" W x 14" H x 3.87" D.



Model 5961



Model 5961-11

Product Compliance

Complies with

- ICC ANSI A117.1, Citation 609.3



- Consult local and national accessibility codes for proper installation guidelines.
- Conformity and compliance to local and national codes is the responsibility of the installer.

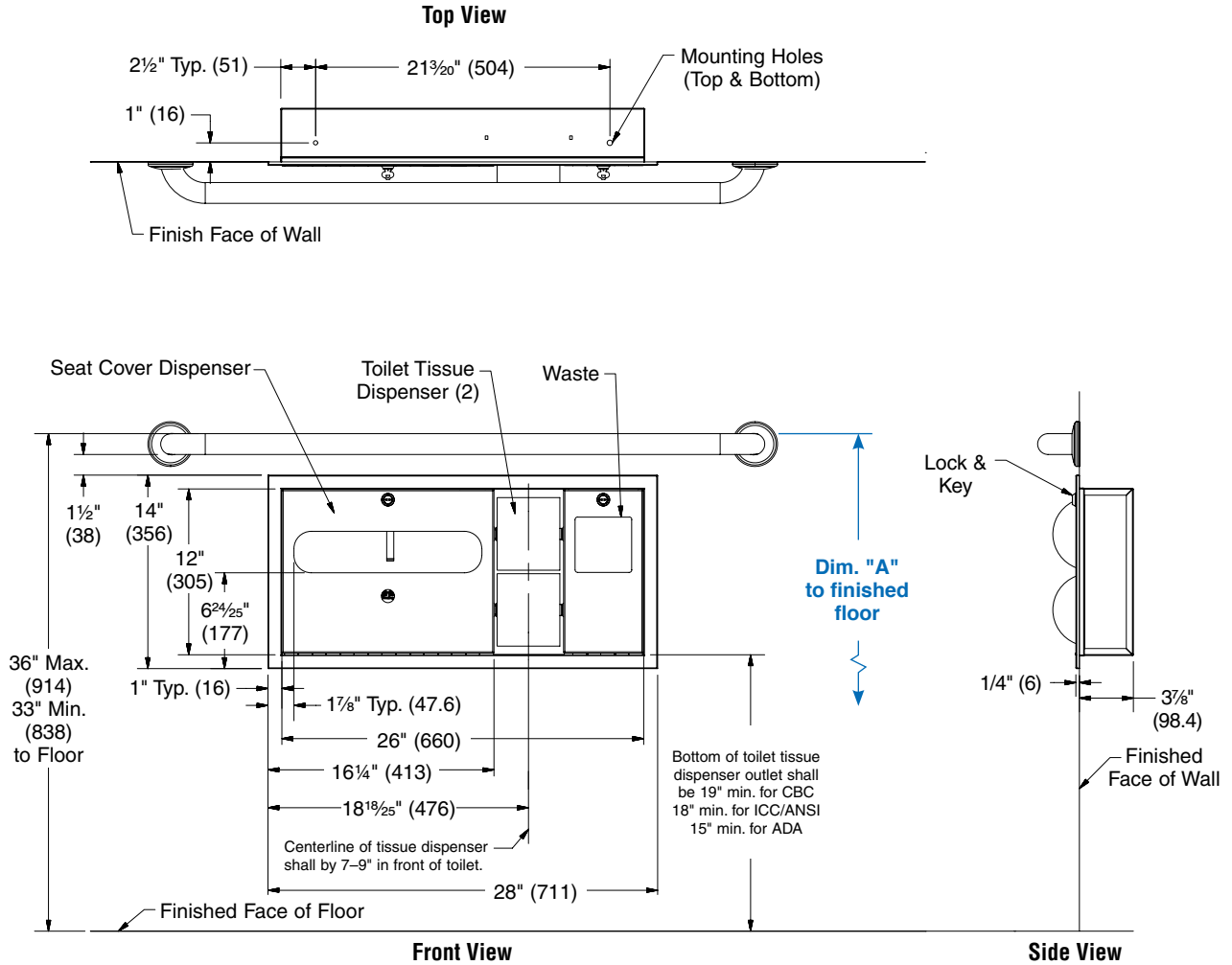


5961 & 5961-11

Combination Unit – Seat Cover Dispenser/Dual Roll Tissue Dispenser w/ Waste Receptacle

Dimensions

Dimensions shown for Model 5961.



Grab bars must be ordered separately. To learn more about Bradley's wide variety of grab bar configurations, visit www.bradleycorp.com.

Dim. "A" Key Surface:	For Dim. "A"	Top of Rough Wall Opening	Bottom of Rough Wall Opening	For Bottom Toilet Paper Opening Lower Lip @ Dim. "A"
Top of 1½" grab bar (installed with 1½" clearance) to finished floor	36" (914)	32½" (816)	19¾" (504.8)	20" (508)

Rough Wall Opening for Model 5961: 26¾"W x 12¼"H x 4"D
Overall Dimensions for Model 5962-11: 28" W x 14" H x 4½" D