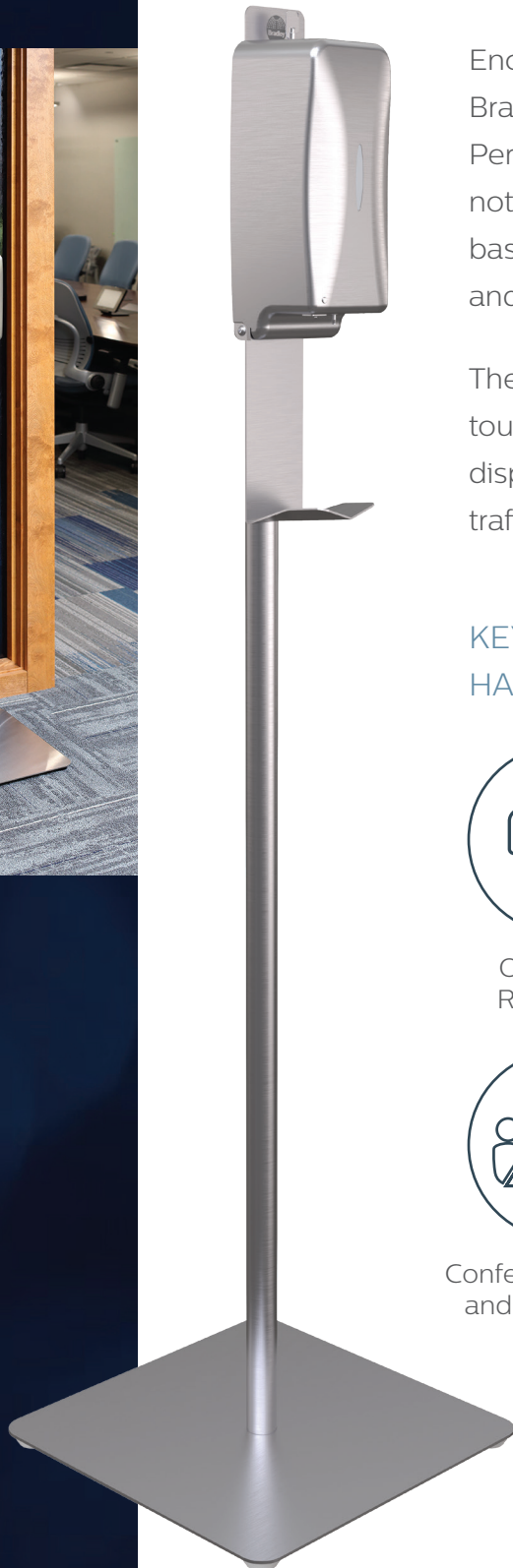


NEW

HAND SANITIZER DISPENSER STAND



Encourage hand hygiene anywhere in your facility with Bradley's freestanding hand sanitizer dispenser stand. Perfect for high traffic areas where a wall or counter is not present, the stand is strong and sturdy with a square base made of 11 gauge stainless steel, is easy to transport and features an integral drip tray to keep floors clean.

The mounting plate is designed to accommodate Bradley's touch-free 6A Series Diplomat liquid and foam hand sanitizer dispensers, which are vandal resistant and tested in high traffic settings for hundreds of thousands of cycles.

KEY LOCATIONS FOR FREESTANDING HAND SANITIZER DISPENSERS:



Outside of
Restrooms



Near
Checkouts



Atriums and
Lobbies



Cafeterias and
Food Courts



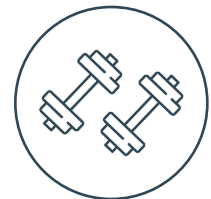
Conference Rooms
and Classrooms



Waiting Rooms



Store Aisles



Fitness Centers
and Rec Areas

Model 6A20-11 Hand Sanitizer Dispenser Stand
with 6A00 Hand Sanitizer Dispenser

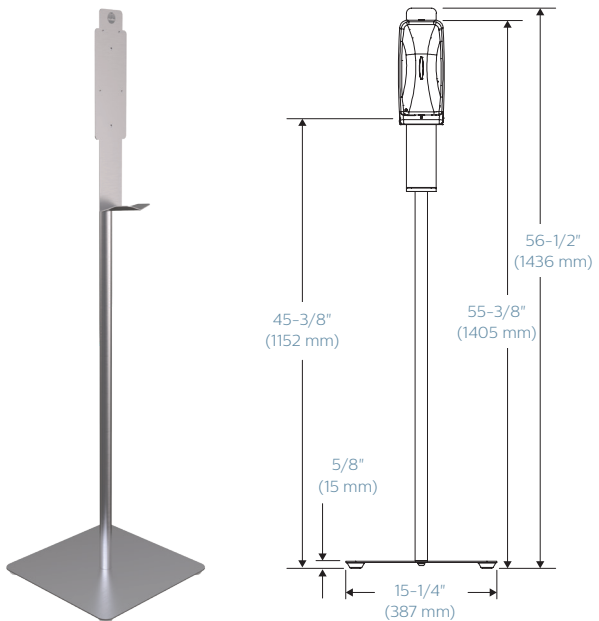
Commercial Washrooms. Brought to Life.





PRODUCT FEATURES

- Portable, free standing
- Drip tray keeps floors clean
- Weighted base made of 11 gauge stainless steel
- Square base with rounded corners for added safety
- Rubber feet on base prevent sliding and scratching
- Accommodates Bradley touchless 6A Series sanitizer dispensers
- Universal mounting plate compatible with dispensers by others. Custom assembly required in the field.
- Minimal assembly required
- ADA compliant



NEW 6A02 LIQUID SPRAY SANITIZER

- Dispenses sanitizer with misting spray
- Dispenser Capacity: 27 oz. (798 ml)
- Battery operated: 4 "AA" Alkaline batteries (not included)

6A00 LIQUID/GEL SANITIZER DISPENSER

- Dispenser Capacity: 27 oz. (798 ml)
- Battery-Operated: 3 "C" batteries (not included)

6A01 FOAM SANITIZER DISPENSER

- Dispenser Capacity: 27 oz. (798 ml)
- Battery Operated: 4 "AA" Alkaline batteries (not included)