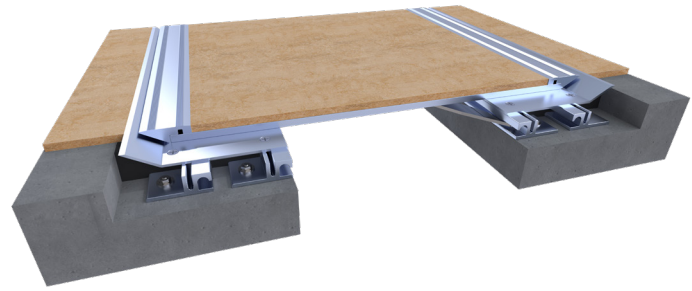


428 Series

A01 -Floor to Floor

A02 - Floor to Wall



Movement Rating ± 50%

Product Guide



Thermal



Interior



Fire Rated
Option



Vapor Barrier
Option



Seismic



Heavy
Duty



ADA
Compliant

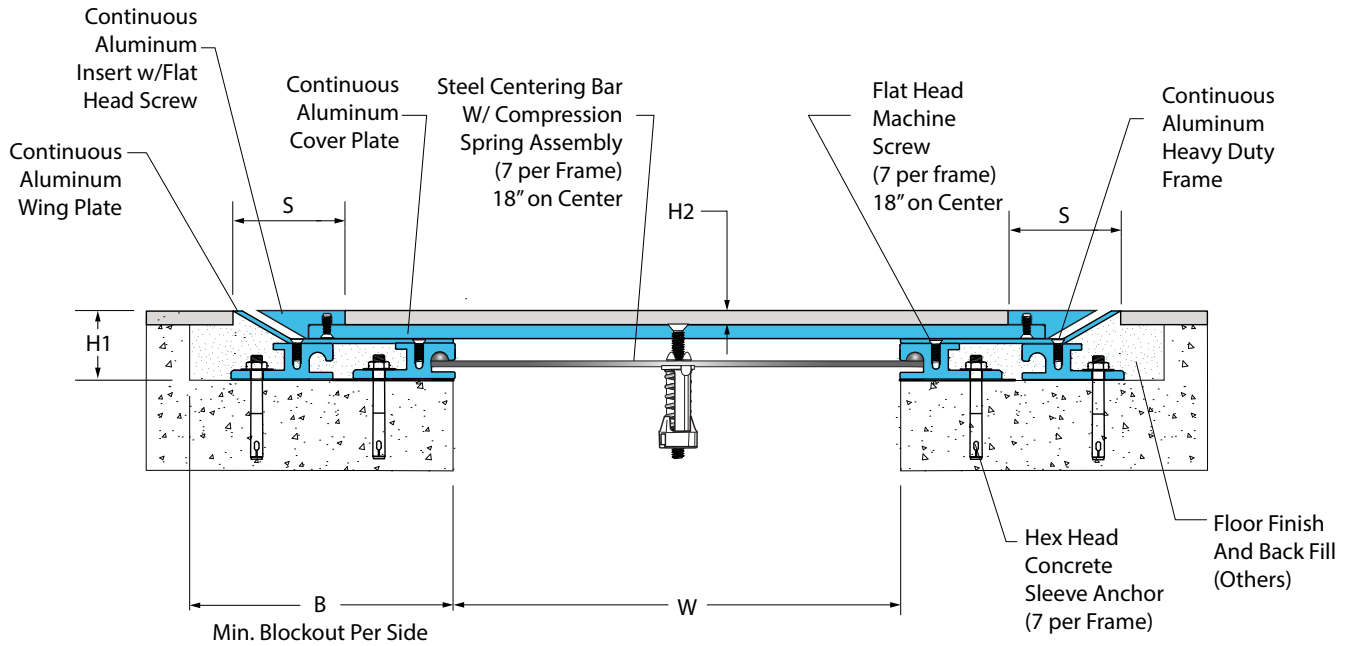
- ▶ 3/8" (10mm) thick aluminum coverplate for interior applications
- ▶ 428 Series accepts flooring up to 3/8" (10mm) thick to reduce impact to the space's design
- ▶ Seismic capable centerbar system
- ▶ Capable of achieving 100% + / - joint movement
- ▶ Mill finish standard, brushed or bead blasted finishes available
- ▶ Optional waterproofing accessories available.
- ▶ For load information contact your InPro Rep. to have the system designed specifically for your project's load requirements

Application	System	W		H1		H2		S		B		Movement +/-			
		Joint Width		Frame Height 1		Height 2		Sightline		Blockout		Horizontal		Vertical	
		US	mm	US	mm	US	mm	US	mm	US	mm	US	mm	US	mm
Floor to Floor	428-A01-100	4"	102	1 7/8"	48	3/8"	10	15 7/8"	403	6 15/16"	176	2"	51	1"	25
	428-A01-150	6"	152	1 7/8"	48	3/8"	10	17 7/8"	453	6 15/16"	176	3"	76	1 1/2"	38
	428-A01-200	8"	203	1 7/8"	48	3/8"	10	19 7/8"	504	6 15/16"	176	4"	102	2"	51
	428-A01-250	10"	254	1 7/8"	48	3/8"	10	21 7/8"	555	6 15/16"	176	5"	127	2 1/2"	63
	428-A01-300	12"	305	1 7/8"	48	3/8"	10	23 7/8"	606	6 15/16"	176	6"	152	3"	76
	428-A01-400	16"	406	1 7/8"	48	3/8"	10	29 13/16"	757	7 15/16"	201	8"	203	4"	102
428-A01-450	18"	457	1 7/8"	48	3/8"	10	32 7/8"	834	8 7/8"	241	9"	230	4 1/2"	114	
Floor to Wall	428-A02-100	4"	102	1 7/8"	48	3/8"	10	9 15/16"	252	6 15/16"	176	2"	51	1"	25
	428-A02-150	6"	152	1 7/8"	48	3/8"	10	11 15/16"	303	6 15/16"	176	3	76	1 1/2"	38
	428-A02-200	8"	203	1 7/8"	48	3/8"	10	13 15/16"	354	6 15/16"	176	4"	102	2"	51
	428-A02-250	10"	254	1 7/8"	48	3/8"	10	15 15/16"	404	6 15/16"	176	5"	127	2 1/2"	63
	428-A02-300	12"	305	1 7/8"	48	3/8"	10	17 15/16"	455	6 15/16"	176	6"	152	3"	76
	428-A02-400	16"	406	1 7/8"	48	3/8"	10	22 15/16"	582	7 15/16"	201	8"	203	4"	102
428-A02-450	18"	457	1 7/8"	48	3/8"	10	25 7/16"	646	8 7/16"	214	9"	229	4 1/2"	114	

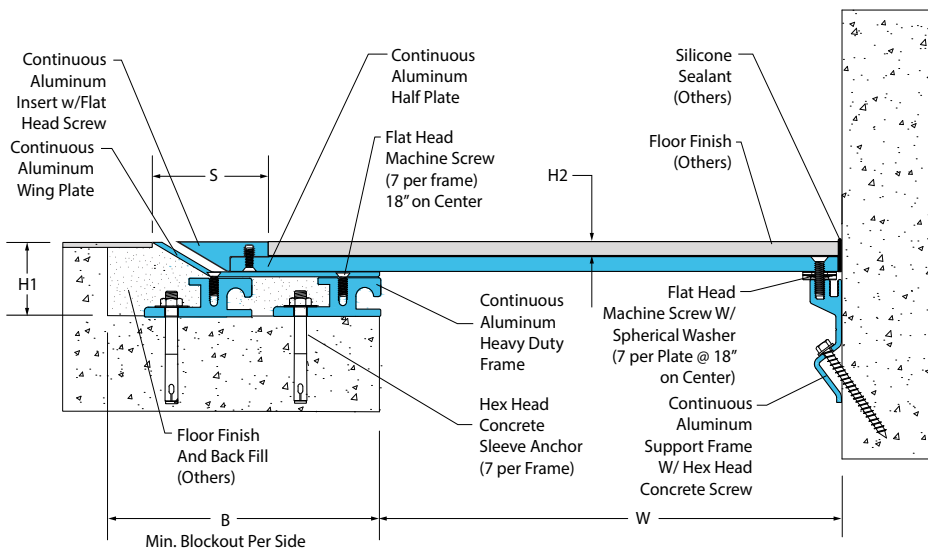
428 Series

Floor Systems

428-A01 Floor to Floor
(428 Series 12" (300mm) system shown)



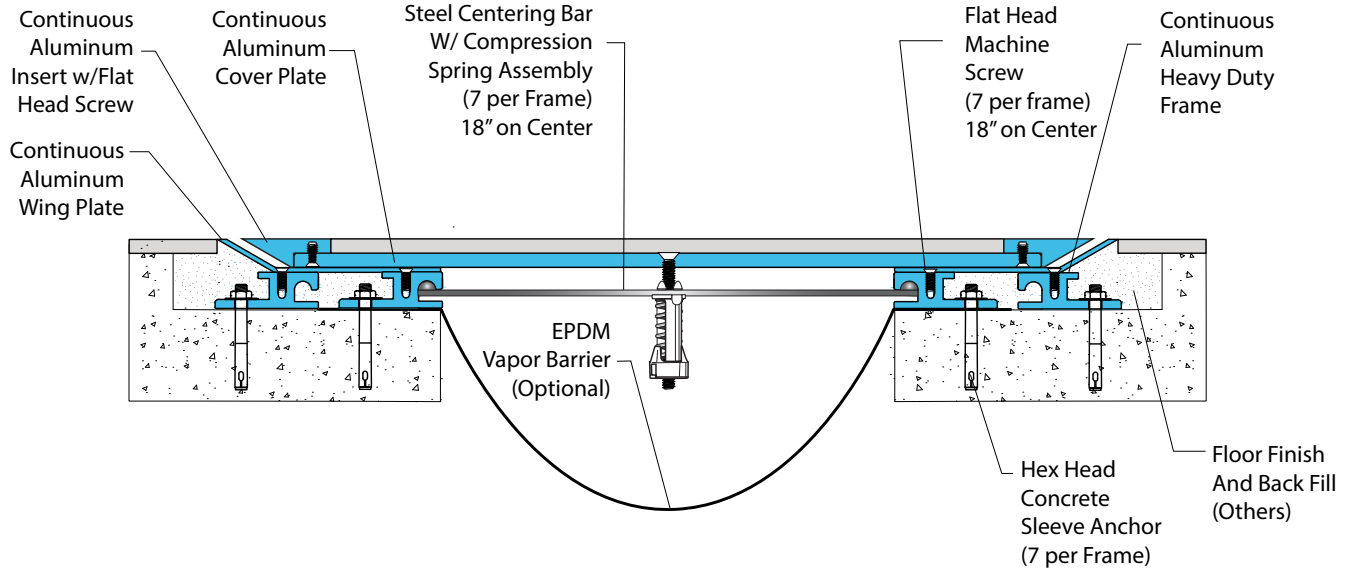
428-A02 Floor to Wall
(428 Series 12" (300mm) system shown)



428 Series

Options

Vapor Barrier System
(428 Series 12" (300mm) system shown)



Fire Blanket System
(428 Series 12" (300mm) system shown)

