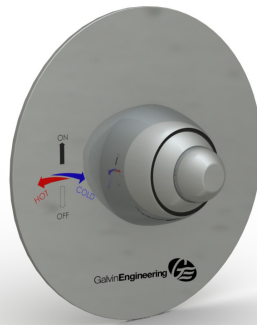



**Cape Cod Systems
Corporation**
Tel. 1-888-227-8555



Shower Mixer

42030

Ligature Resistant Shower Valve

| Certifications | Technical | Materials | Accessibility |
|--|---|---|---|
|  ASME A112.18.1 CSA B125.1 (2012) | Inlet: 1/2" NPT - Male Outlet: 1/2" NPT - Male Working Pressure Range: 8 - 73 psi Working Temp Range: 41°F - 194°F | Construction: Stainless Steel/Brass Finish : Polished/Chrome | Compliant No tight grasping, pinching, or twisting of the wrist required to activate the valve |

Description

This unique product has been designed to use in shower applications in behavioral health facilities, providing a normal as possible look and feel. It operates similar to a residential lever mixer, without the lever and assists in providing a safe environment for patients, by minimising ligature points in the shower.

Features

- The unique design concept eliminates the institutional look and provides anti-ligature and vandal resistant compliance.
- Easy operation allows the shower to be activated with your palm or fingers.
- 6-5/8" round face plate with polished stainless steel finish for a homely look, yet able to withstand heavy knocks.
- Easy temperature blending and operation to ensure comfort and safety for the user.
- Bevelled edges for maximum tight fixing.
- Designed for easy panel installation (Maximum thickness 11/16").
- Access to the rear of the unit is required to fit this product.
- If a removable panel is to be used (front mounting) then flexible hoses for water inlet and the shower outlet must be used.

Technical Information

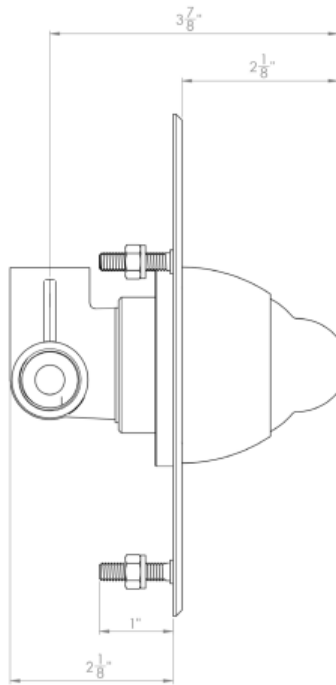
- Inlet: 1/2" NPT - Male
- Outlet: 1/2" NPT - Male
- Headwork: Ceramic Disc Cartridge
- Working Pressure Range (psi): 8 Min - 73 Max.
- Working Temperature Range (°F): 41 Min - 194 Max.
- Nominal Flow Rate: NA
- Construction: Stainless Steel/Brass
- Finish: Polished/Chrome

Maintenance and Cleaning

Galvin by AquaDesign products should be cleaned with a soft damp cloth using only mild liquid detergent or soap and water. Do not use cleaning agents containing a corrosive acid, scouring agent or solvents. Do not use cream cleaners, as they are abrasive. Use of unsuitable cleaning agents may damage the surface. Any damage caused in this way will not be covered by warranty.

Regular maintenance should be carried out in accordance with the installation and troubleshooting guides provided with the product, relevant standards, local authorities and state codes.

Dimensions



| | |
|--------------------------|---|
| 001 | Base Model Number (must specify) |
| <input type="checkbox"/> | 42030 Ligature Resistant Shower Mixer |