



**Whitehall Manufacturing®**  
 Manufacturer of Healthcare and Rehabilitation Products since 1946

# Solid Surface Corner Sink

**Cape Cod Systems  
 Corporation**  
**Tel. 1-888-227-8555**

Division of  
 Acorn Engineering Company®

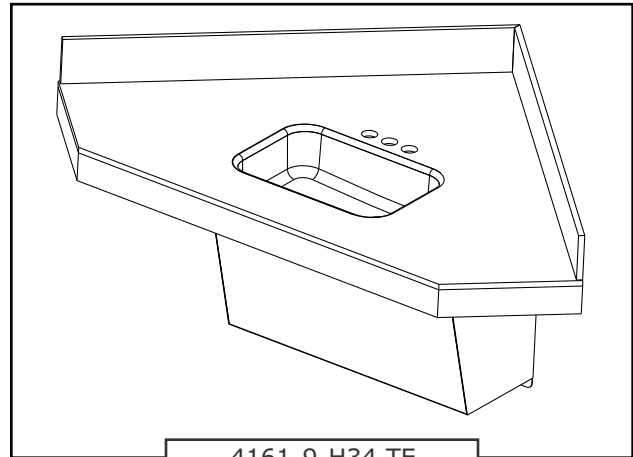


A MEMBER OF



## Whitehall Solid Surface Corner Sink

Model 4161



4161-9-H34-TE

Fixture May Show Some Available Options

**Solid Surface Corner Sink** is intended for general use by medical staff, patients and food handlers. Optional Lead-Free Gooseneck faucet includes Laminar Flow nozzle with an integral 1.2 GPM flow restrictor. Left and Right Backsplashes are shipped loose for assembly in the field. Sink is designed to include an angled internal slope to defuse outlet water and minimize splash. Outside rim is angled downward to prevent pooling water. Fixture includes an offset drain to prevent water from discharging directly into waste.

**Fixture** is made of Corterra® a non-porous solid surface polymer resin with the feel of commercial-grade designer basins and includes an additive, SteriTouch®, that provides antimicrobial protection. Standard color furnished is Blanco Matte (OCC11M). Fixture is easy to mount and install onto a finished wall from the front. Unit is certified to IAPMO Z124/CSA B45.5.

**Optional Trap Cover** is made of type 304 stainless steel and allows easy access to p-trap and other plumbing components.

**Waste Connection** is 1-1/4" NPS grid strainer with close elbow and 1-1/4" O.D. tailpiece.

### GUIDE SPECIFICATION

Provide Whitehall ADA/OBC Infection Prevention Sink (specify model number and options). Fixture shall be fabricated of Corterra® non-porous solid surface polymer resin with SteriTouch® anti-microbial protection. Sink shall have a deep internal sloping basin and a daisy pattern strainer with grid strainer elbow.

**Optional Ligature Resistant Faucet** (WH3375-SO tailpiece valve) is available. **See Individual BestCare Specification Sheets for 4" Centerset Faucet.1**

**Optional Mixing Valve WHST70-12** delivers tempered water flow by compensating for pressure and temperature fluctuations and is ASSE 1070 compliant. Valve is factory set to 105° F (41° C) and includes strainers and integral checks. Operating range is 30 to 100PSI.

Please visit [www.whitehallmfg.com](http://www.whitehallmfg.com) for most current specifications.



**SteriTouch®**

Complies with the following standards:





**BASE MODEL NUMBER**

-4161 ADA/OBC Compliant Infection Prevention Sink

**INFECTION PREVENTION FAUCETS**

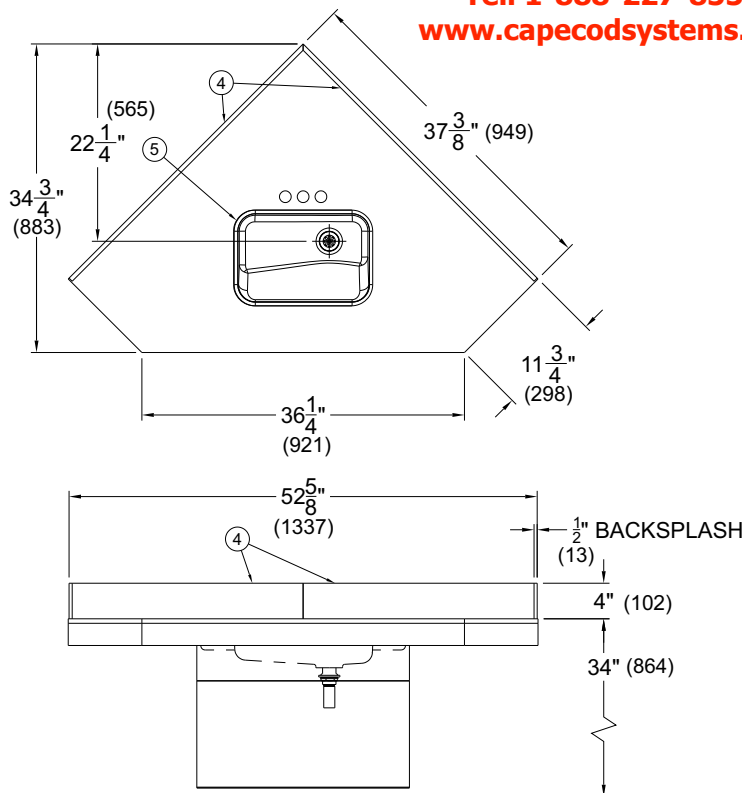
- 9 Without Valve (Specify Drilling)
  - H1 Single Hole Centered
  - H34 Three Holes 4" Centerset (1-5/16" diameter holes)
- CSG Centerset with Lead-Free Gooseneck Spout, Wrist Blade Handles and Laminar Flow Spout
- SO Sensor Operated Deck Mounted Spout
- SO-BAT Sensor Operated Deck Mounted Spout - Battery Powered (batteries not included)

**PRODUCT OPTIONS**

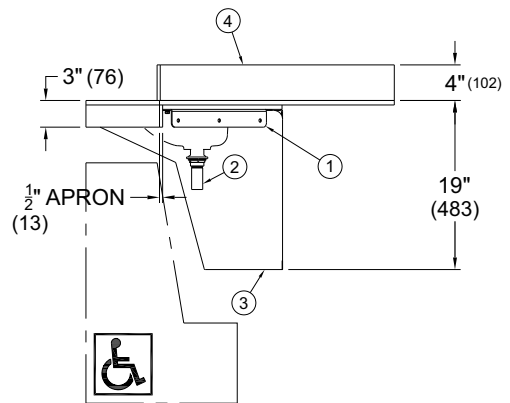
- HTR Chronomite Instantaneous Water Heater (For Remote Location) (Refer to Chronomite Labs at <http://chronomite.com> for applications and field installation)
- WHST70-12 Tempering Valve With Integral Mounting Feet Brass Body With 1/2" NPT Connections
- OCC Optional Corterra® Color - Specify \_\_\_\_\_ (Refer to <https://www.whitehallmfg.com/product.aspx?ProductId=982> for available colors)
- TE Trap Enclosure
- TPT Tubular P-Trap

Please visit [www.whitehallmfg.com](http://www.whitehallmfg.com) for most current specifications.

**Cape Cod Systems Corporation**  
 Tel. 1-888-227-8555  
[www.capecodsystems.com](http://www.capecodsystems.com)



- ① MOUNTING ANGLES
- ② GRID STRAINER AND TAILPIECE PROVIDED
- ③ OPTIONAL -TE STAINLESS STEEL TRAP COVER
- ④ BACKSPASHES - SHIPPED LOOSE FOR FIELD INSTALLATION
- ⑤ 10" ID x 14-1/2" ID INTEGRAL BASIN



**SteriTouch**

All dimensions are nominal and subject to manufacturer's change without notice. Whitehall assumes no responsibility for use of void or superseded data © Whitehall Manufacturing, Member of Morris Group International. Please visit [www.whitehallmfg.com](http://www.whitehallmfg.com) for most current specifications.

⚠ WARNING: Cancer and Reproductive Harm - [www.P65Warnings.ca.gov](http://www.P65Warnings.ca.gov)

**SELECTION SUMMARY & APPROVAL FOR MANUFACTURING**

Model Number & Options \_\_\_\_\_ Quantity \_\_\_\_\_  
 Company \_\_\_\_\_ Date \_\_\_\_\_  
 Contact \_\_\_\_\_ Title \_\_\_\_\_  
 Approval for Manufacturing/Signature \_\_\_\_\_