



Whitehall Manufacturing®
 Manufacturer of Healthcare and Rehabilitation Products since 1946

Infection Prevention Sink

**Cape Cod Systems
 Corporation**
Tel. 1-888-227-8555

Whitehall Infection Prevention Sink

Model 4150

Division of
 Acorn Engineering Company®



A MEMBER OF



4150-CSG

Fixture May Show Some Available Options

Infection Prevention Sink is intended for general use by medical staff, patients and food handlers. Optional Lead-Free Gooseneck Faucet includes Laminar Flow Nozzle with an integral 1.5 GPM Flow Restrictor. Sink is designed to include an angled internal slope to defuse outlet water and minimize splash while hand washing and scrubbing up to elbows. Outside Rim is at a minimal width and angled downward to prevent pooling water and discourage placement of objects on Rim. Fixture includes an offset Drain to prevent water from discharging directly into Drain.

Fixture is made of Corterra® non-porous solid surface polymer resin with the feel of commercial-grade designer Basins and includes an additive, SteriTouch®, that provides antimicrobial protection. Antimicrobial additive helps suppress the growth of odor and stain-causing microorganisms. Corterra® material is GreenGuard Gold Certified for low emissions. Fixture is easy to mount and installs onto a finished wall from the front.

Optional P-Trap Cover is made High Impact Polystyrene. Cover allows easy access to P-Trap and other plumbing components.

Waste Connection is 1-1/4" NPS Dome Strainer with Close Elbow and 1-1/4" O.D. Tailpiece.

GUIDE SPECIFICATION

Provide Whitehall Infection Prevention Sink (specify model number and options). Fixture shall be fabricated of Corterra® non-porous solid surface polymer resin with SteriTouch® anti-microbial protection. Sink shall have a deep internal sloping Basin and a Dome Strainer with a Close Elbow and Tailpiece.

MATERIAL CERTIFICATION

Material physical proprieties are in compliance with:

- CSA B45.5/IAPMO Z124
- ANSI/ICPA SS-1

(Refer to Technical Data Sheet for Complete Details)

- Patented D681,177
- D Acorn Engineering Co.

Please visit www.whitehallmfg.com
 for most current specifications.



SteriTouch®

Complies
 with the
 following
 standards:





Cape Cod Systems Corporation
Tel. 1-888-227-8555

BASE MODEL NUMBER

- 4150 Compliant Infection Prevention Sink

INFECTION PREVENTION FAUCETS

- 9 Without Valve (Specify Drilling)
 - H1 Single 1-5/16" Dia. Hole Centered
 - H34 Three Holes 4" Centerset (1-5/16" dia. Holes)
- CSG Centerset with Lead-Free Gooseneck Spout, Wrist Blade Handles and Laminar Flow Spout
- SO Sensor Operated Deck Mounted Spout
- SO-BAT Sensor Operated Deck Mounted Spout - Battery Powered (batteries not included)

Disclaimer: The Faucet option listed is specifically designed to minimize splash. Whitehall Manufacturing will not be liable for any splashing that occurs if Faucet other than Whitehall provided Faucet is used.

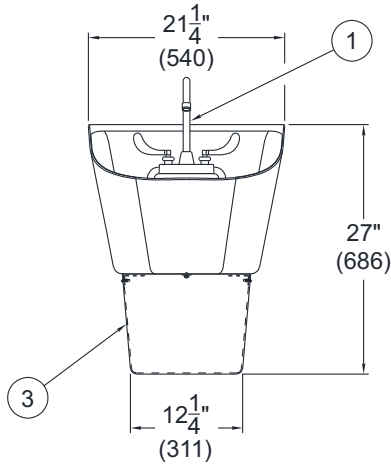
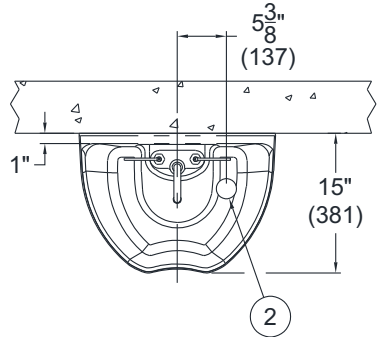
MOUNTING

- MC Mounting Carrier

PRODUCT OPTIONS

- VF Foot Operated Valve, Spout Provided
- HTR Chromomite Instantaneous Water Heater (For Remote Location) (Refer to Chromomite Labs at <http://chromomite.com> for applications and field installation)
- TE Trap Enclosure
- MXTP ASSE 1070 Compliant Temperature/Pressure Balancing Mixing Valve
- TPT Tubular P-Trap

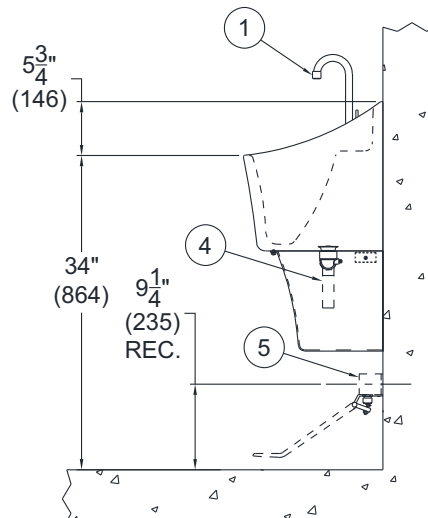
Please visit www.whitehallmfg.com for most current specifications.



MODEL# 4150-CSG

NOTES:

1. Optional -CSG Wrist Blade Gooseneck Faucet Shown. N/A With Optional -VF
2. Dome Grid Strainer
3. Optional -TE Trap Enclosure
4. 1-1/4" NPSE Grid Strainer w/ Close Elbow and 1-1/4" O.D. Tailpiece Provided
5. Optional -VF Foot Operated Valve, Shown For Reference Only. N/A With -CSG Faucet Shown



All dimensions are nominal and subject to manufacturer's change without notice. Whitehall assumes no responsibility for use of void or superseded data © Whitehall Manufacturing, Member of Morris Group International. Please visit www.whitehallmfg.com for most current specifications.

WARNING: Cancer and Reproductive Harm - www.P65Warnings.ca.gov

SELECTION SUMMARY & APPROVAL FOR MANUFACTURING

Model Number & Options _____ Quantity _____
 Company _____ Date _____
 Contact _____ Title _____
 Approval for Manufacturing/Signature _____