

Cape Cod Systems Corporation
Tel. 1-888-227-8555



ACCURATE
LOCK & HARDWARE
AMERICAN CRAFTED SINCE 1972

2002CPDP + 2002CPDP-Q

POCKET DOOR EDGE PULL

2002CPDP POCKET DOOR EDGE PULL

The 2000CPDP is an 8" Pocket Door Edge Pull designed for passage, non-locking applications on space-saving doors. Also available as 2002CPDP-Q Quiet Pocket Door Edge Pull featuring a quiet, slow-release edge pull. Pair with Blank Flush Pulls.



POCKET DOOR PRIVACY SET
CONCEALED FASTENERS

Pocket Door Hardware Sets

2002CPDP + 2002CPDP-Q



2002CPDP



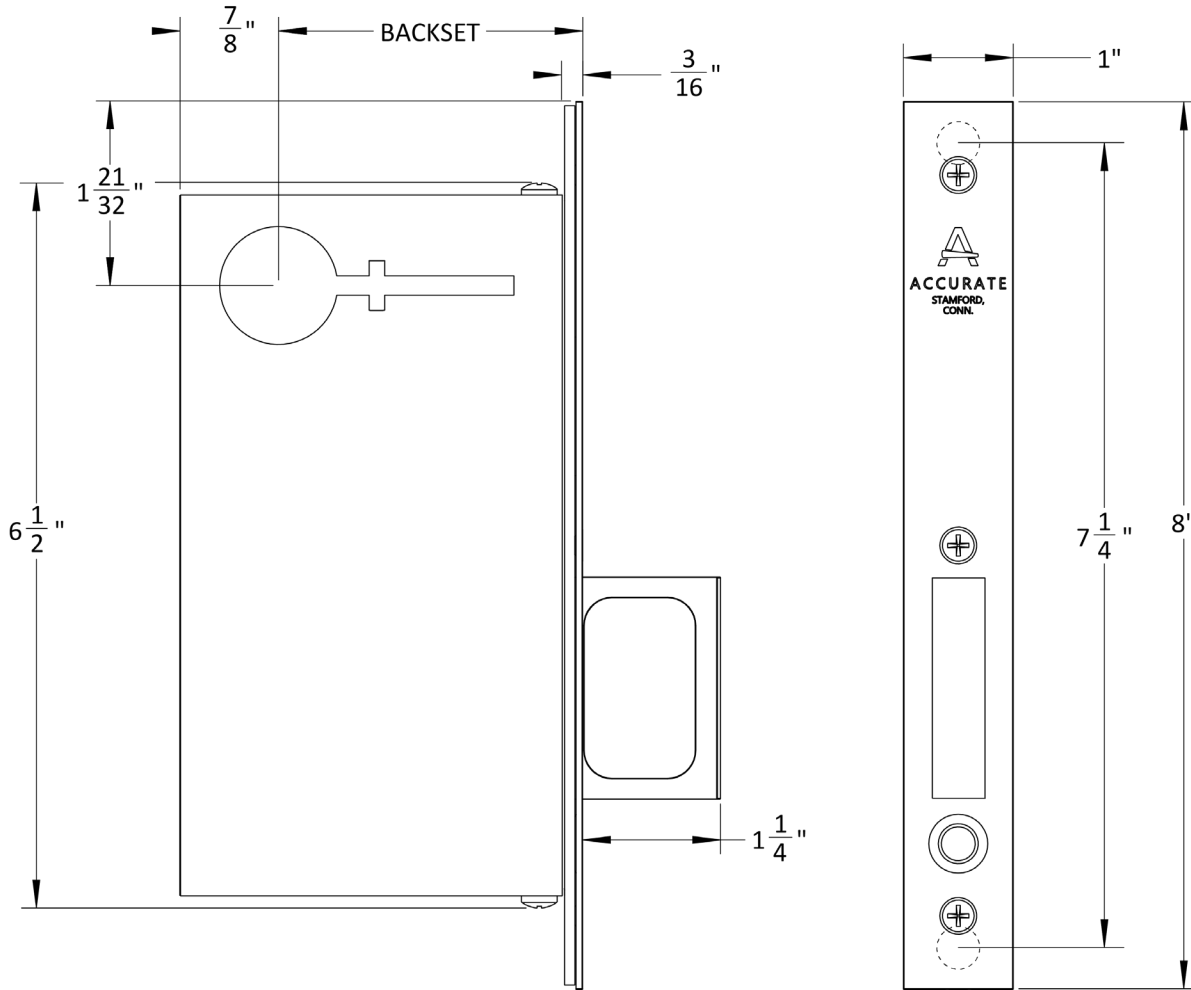
2002CPDP-Q

2002CPDP + 2002CPDP-Q POCKET DOOR EDGE PULL

- For passage, non-locking pocket doors (pair with Blank Flush Pulls)
- Available with Quiet Pocket Door Pull that features a Quiet slow release edge pull pops out of the lock with press of a button allowing for comfortable operation to pull door out of pocket.



2002CPDP: Technical Details



3 3/8" overall depth standard
 2 7/8" overall depth available (specify as 2002CPDP-SD)

CASE: Heavy gauge, wrought (11/16" thick)

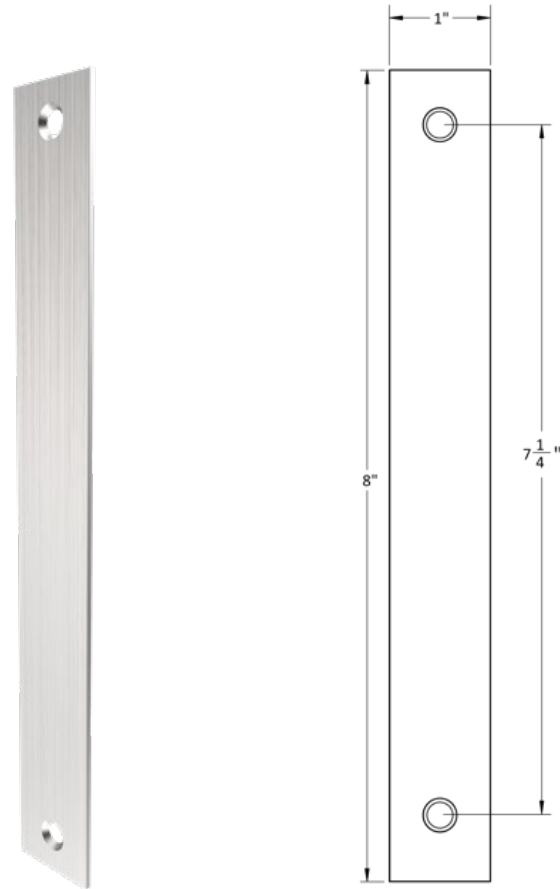
ARMOR FRONT: 1" wide, 8" standard made from brass, bronze or stainless steel and finished as required

PULL: 1/2" thick, 2" high, 1 1/4" throw

Pocket Door Jamb Protector Plate

2002JPP

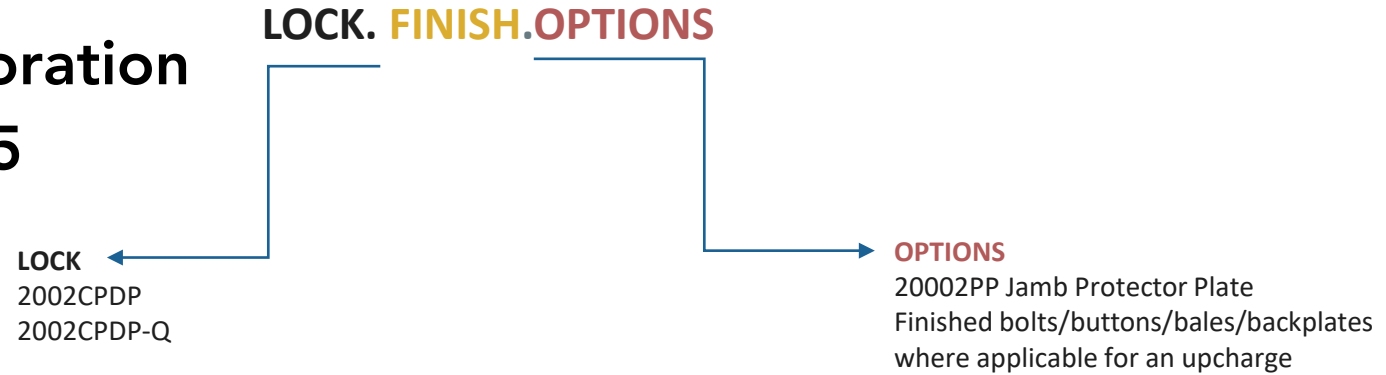
To oppose 2002CPDP or 2011PDP





HOW TO SPECIFY

Cape Cod Systems Corporation
Tel. 1-888-227-8555



EXAMPLES

Quiet Pocket Door Edge Pull
E.g.: 2002CPDP-Q.**US26D**

Pocket Door Edge Pull | Jamb Protector Plate
E.g.: 2002CPDP.**US3.2002JPP**

Pocket Door Edge Pull | All Bolts Finished
E.g.: 2002CPDP.**US19.US19BOLTS**

FINISHES

GROUP 1: US4, US4NL, US32D*, US26D

GROUP 2: US3, US3NL, US26, US32*, US9*, US10*, US10B, US14, US15, US19

GROUP 3: BN, BB, TN, TB, DURO, ESN, US15A, US5

Applicable finishes come standard with [Cerakote Premium Protective Coating](#). Available in gloss or matte.

** Trim options (including Accurate Levers) may not be available in US32D, US32, US9, or US10 finish. Please call for assistance.*

