

103 Series Surface Mount

A01 - Floor to Floor

A02 - Floor to Wall

Cape Cod Systems Corporation

Tel. 1-888-227-8555



Movement Rating \pm 25%

Product
Guide



Thermal



Interior



Fire Rated
Option



Vapor Barrier
Option



ADA
Compliant

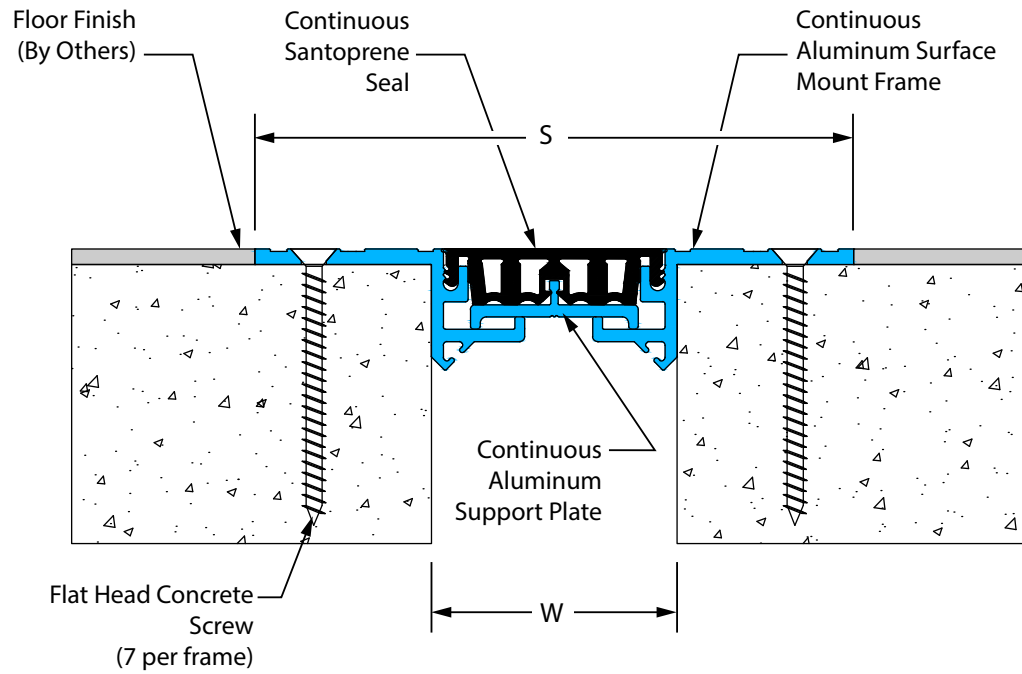
- ▶ Seal absorbs thermal movement
- ▶ Frames allow for a smooth transition over joint for wheeled equipment
- ▶ Designed for 1/8" (3mm) thick flooring
- ▶ Seamlessly integrates with the following wall and ceiling systems: 101,104,112,113,118 A07/A09
- ▶ Easy to clean flush seals, no dirt or water traps
- ▶ Seal offered in 5 standard colors, custom color available
- ▶ Dual durometer seal provides a secure fit and optimal flexibility
- ▶ Snap-fit design for easy on site assembly
- ▶ Standard loading capabilities
- ▶ Aluminum mill finish

Application	System	W		H1		H2		S		B		Movement +/-			
		Joint Width		Frame Height 1		Height 2		Sightline		Blockout		Horizontal		Vertical	
		US	mm	US	mm	US	mm	US	mm	US	mm	US	mm	US	mm
Floor to Floor	103-A01-025	1"	25	5/8"	16	1/8"	4	4"	102	*	*	1/4"	6	1/4"	6
	103-A01-038	1 1/2"	38	5/8"	16	1/8"	4	4 1/2"	114	*	*	3/8"	10	3/8"	10
	103-A01-050	2"	51	1"	25	1/8"	4	4 7/8"	124	*	*	1/2"	13	1/2"	13
	103-A01-075	3"	76	1 1/8"	28	1/8"	4	6"	152	*	*	3/4"	19	3/4"	19
Floor to Wall	103-A02-025	1"	25	5/8"	16	1/8"	4	2 1/2"	64	*	*	1/4"	6	1/4"	6
	103-A02-038	1 1/2"	38	5/8"	16	1/8"	4	2 15/16"	75	*	*	3/8"	10	3/8"	10
	103-A02-050	2"	51	1"	25	1/8"	4	3 3/8"	86	*	*	1/2"	13	1/2"	13
	103-A02-075	3"	76	1 1/8"	28	1/8"	4	4 1/2"	114	*	*	3/4"	19	3/4"	19

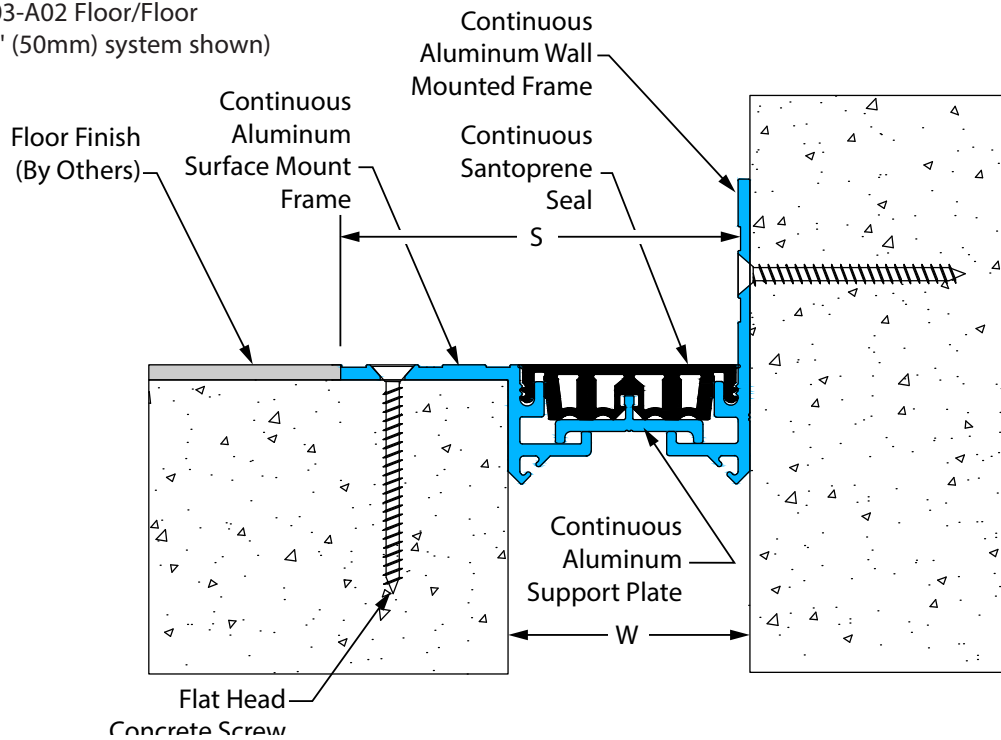
103 Series

Surface Mount Floor Systems

103-A01 Floor/Floor
(2" (50mm) system shown)



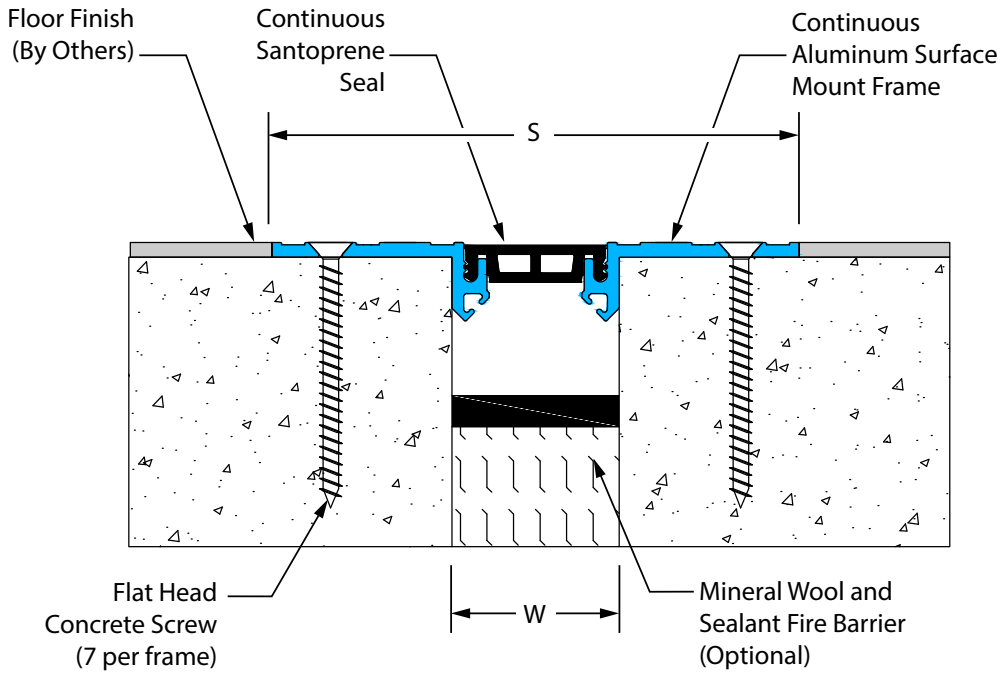
103-A02 Floor/Floor
(2" (50mm) system shown)



103 Series

Options

103-A01 Floor/Floor With Fire Barrier
(1 1/2" (38mm) system shown)



103-A02 Floor/Floor With Vapor Barrier
(3" (75mm) system shown)

