

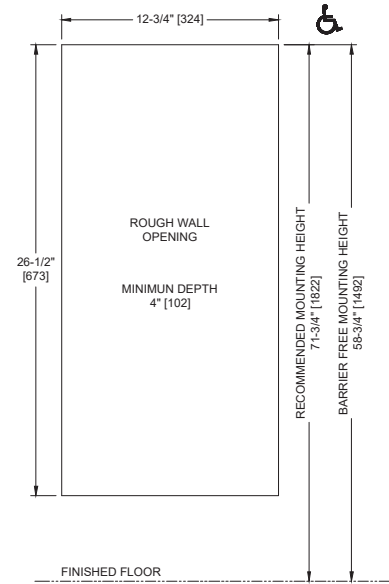
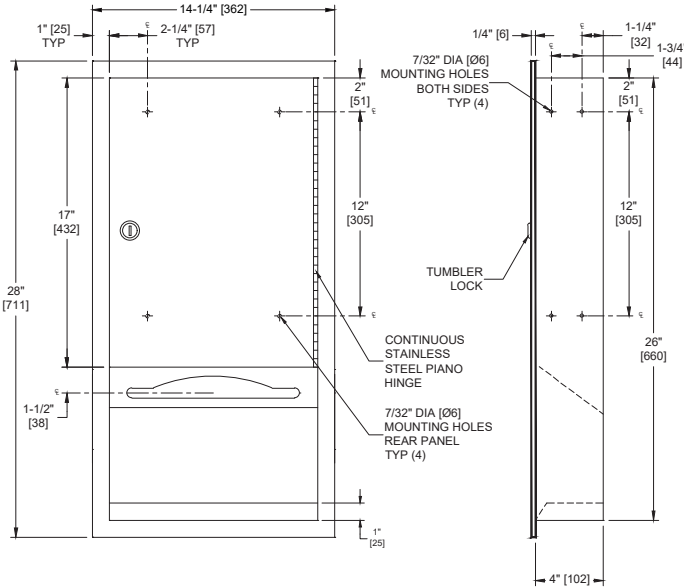
**Paper Towel Dispenser (Multi - C-Fold) – Recessed**

Paper Towel Dispensers

Traditional

MasterFormat Section 10 28 13

**CAPE COD SYSTEMS CORPORATION**  
**TEL. 1-888-227-8555**



Scan for Information



**SUSTAINABILITY/LEED**

MR 4.1 (1) MR 6 (1) EQ 4.2 (1)  
 MR 4.2 (1) EQ 4.1 (1) EQ 4.4 (1)

**NOTE:**  
 ALL DIM'S INCH [MM]  
 ILLUSTRATION FOR REF ONLY AND NTS  
 FOR CLEANING INSTRUCTIONS SEE APPROPRIATE SECTIONS IN  
 PRODUCT CARE & MAINTENANCE BULLETIN (PCM) ON ASI WEBSITE

**PRODUCT OVERVIEW**

Dispenses 600 C-fold or 800 multi-fold paper towels. Towels are self-feeding until supply is depleted. Unit may be reloaded with a partial load in-place and will continue to feed properly. Door held closed with a tumbler lock.

**KEY FEATURES & SPECIFICATIONS**

- Self feeding towels
- Towel slot has a fully hemmed edge for snag-free dispensing and user safety
- Type 304 Stainless Steel - Satin Finish
- Recessed
- Pull Type
- 600 C-Fold OR 800 Multi-Fold

**OPERATION & MAINTENANCE**

Towels are self-feeding until supply is depleted. Towels are refilled from the bottom via two push-up flaps.

**TECHNICAL INFORMATION / PRODUCT PROPERTIES**

Property	Value
Dimensions	14-1/4" [326] W x 28" [711] H x 4-1/4" [108] D
Construction	Type 304 Stainless Steel - Satin Finish
Power	N/A
Operation	Manual - Pull Type
Mounting	Recessed
Capacity	600 C-Fold OR 800 Multi-Fold

**INSTALLATION**

Unit is recessed mounted in wall using #10 screws (by others) through concealed mounting holes provided. For compliance with 2010 ADA Accessibility Standards install unit so that centerline of towel dispenser slot is 48" [1219] maximum above finished floor (AFF). To comply with CalDAG mounting height, towel dispenser slot should be 40" [1016] AFF. Note that bottom of RWO is 3/4" [19] above bottom of unit.

Rough Wall Opening (RWO) required is 12-3/4" [324] W x 26-1/2" [673] H x 4" [102] D minimum

**CAPE COD SYSTEMS CORPORATION**  
**TEL. 1-888-227-8555**  
**[www.capecodsystems.com](http://www.capecodsystems.com)**

**WARRANTY**

One (1) Year from date of Invoice