

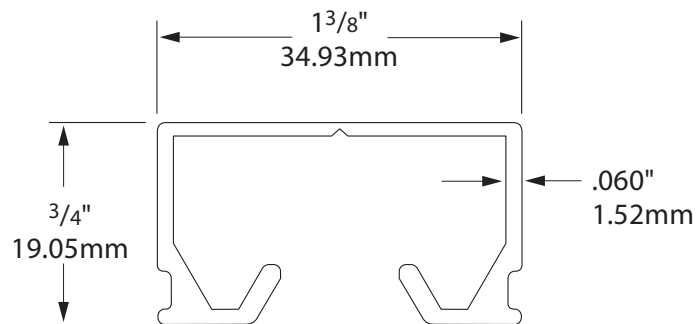
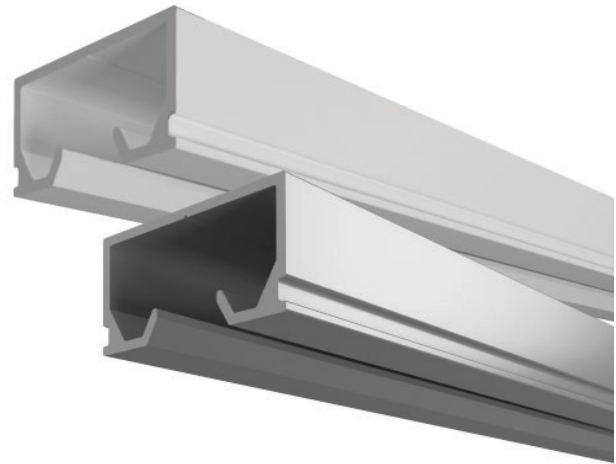
Optitrac®

Curtain Track

CAPE COD SYSTEMS CORPORATION

TEL. 1-888-227-8555

www.capecodsystems.com



- Quiet, effortless movement
- Extruded aluminum track with durable clear anodized aluminum or white baked acrylic enamel finish
- Removable end cap for quick and easy carrier replacement without removing entire track
- Engineered to meet the most common track specifications
- Color-matched splices, end caps and bends available for quick on-site installation
- IV Carriages and accessories available for the most standard ceiling heights
- Suspended track sets available for hard and sloped ceilings
- Manufactured in 7' (2.1m), 8' (2.44m), 9' (2.74m) or 12' (3.66m) lengths to accommodate any application

Optitrac® Cubicle Track

Suggested Specifications

PART 1 - GENERAL

1.01 SUMMARY

A. Cubicle Tracking Systems

B. I.V. Tracking Systems

1.02 SECTION INCLUDES

A. Overhead metal curtain track

B. Track accessories

C. I.V. Track Accessories

1.03 SUBMITTALS

A. Product Data: Manufacturer's printed product data for each type of cubicle tracking system specified.

B. Detail Drawings: Mounting details with the appropriate fasteners for specific project substrates.

C. Samples: Verification samples of cubicle track, 4" (102mm) long, in full size, with carriers and end cap.

D. Manufacturer's Installation Instruction: Printed installation instructions for each cubicle tracking system.

1.04 DELIVERY, STORAGE AND HANDLING

A. Deliver materials in unopened factory packaging to the jobsite.

B. Inspect materials at delivery to assure that specified products have been received.

C. Store in original packaging in a climate controlled location away from direct sunlight.

1.05 PROJECT CONDITIONS

A. Environmental Requirements: Products must be installed in an interior climate controlled environment.

1.06 WARRANTY

A. Standard Clickze Limited Lifetime Warranty against material and manufacturing defects.

PART 2 - PRODUCTS

2.01 MANUFACTURER

A. Acceptable Manufacturer:

Clickze, Inpro Corporation
PO Box 406 Muskego, WI 53150 USA
Telephone: 800.222.5556
Fax: 888.715.8407
inprocorp.com

B. Substitutions: Not permitted

C. Provide all cubicle tracking systems from a single source.

2.02 TRACK MATERIALS

A. Cubicle Tracking System

1. OPTITRAC, extruded aluminum cubicle track with clear anodized aluminum or white baked acrylic enamel finish. Aluminum shall be 6063-T5. Dimensions: height 3/4" (19.05mm), width 1-3/8" (34.93mm).

a. White baked acrylic enamel finish
CE500007 - 7 foot length (2.1m)
CE500008 - 8 foot length (2.44m)
CE500009 - 9 foot length (2.74m)
CE500012 - 12 foot length (3.66m)

b. Clear anodized finish
CE500007-AN - 7 foot length (2.1m)
CE500008-AN - 8 foot length (2.44m)
CE500009-AN - 9 foot length (2.74m)
CE500012-AN - 12 foot length (3.66m)

2. Bent sections: Provide factory bent track sections with one-foot radii to mate with straight track sections:

a. White baked acrylic finish
CE5042 - 2' x 2', 45° bend
CE5043 - 3' x 3', 45° bend
CE5062 - 2' x 2', 60° bend
CE5092 - 2' x 2', 90° bend
CE5093 - 3' x 3', 90° bend
CE5094 - 4' x 4', 90° bend.
CE50954 - 54" radius, 7" arc length

b. Clear anodized finish
CE5042-AN - 2' x 2', 45° bend
CE5043-AN - 3' x 3', 45° bend
CE5062-AN - 2' x 2', 60° bend
CE5092-AN - 2' x 2', 90° bend
CE5093-AN - 3' x 3', 90° bend
CE5094-AN - 4' x 4', 90° bend.

2.03 TRACK COMPONENTS

A. End Cap: Provide thermoplastic end caps in a color matching the track.

CE5080 End Cap, white

CE5080-AN - End Cap, gray

B. Carrier Removal End Cap: Provide thermoplastic end caps that allow carrier removal without the disassembly of track sections. End cap shall have a removable inner cap that allows carriers to be removed.

CE5100 Carrier Removal End Cap, white

CE5100-AN, carrier removable end cap, gray

C. Metal End Caps: Provide extruded aluminum end caps in a finish matching the track.

CE5080M, End Cap, White

CE5080M-AN, End Cap, Anodized

D. Track Splice: Provide track splice to fit track section, with finish matching that of the track.

CE5SPLICE - Track Splice, white

CE5SPLICE-AN - Track Splice, anodized

E. Suspended Track Sets: Provide support sets, designed to receive attachment from track support.

CE5500 - Hard Ceiling Support Brackets, White

CE5500-AN - Hard Ceiling Support Bracket, Anodized

CE5275-Tegular Suspended Support 15/16" Grid Clip and Bracket, White

CE5275-AN - Tegular Suspended Support 15/16" Grid Clip and Bracket, Anodized

CE5274 - Flush Suspended Support 15/16" Grid Clip and Bracket, White

CE5274-AN - Flush Suspended Support 15/16" Grid Clip and Bracket, Anodized

F. Sloped Ceiling Support Set Brackets: Provide brackets to mount to angle ceilings and receive attachment from track support.

CE5400 - Sloped Ceiling Support Bracket, White

CE5400-AN - Sloped Ceiling Support Bracket, Anodized

G. Post for Support Set: Provide 5/8" (15.86mm) clear anodized aluminum or white enamel post for support set. 8' lengths.

CE830008 - Post for Support Set white baked acrylic enamel finish

CE830008-AN - Post for Support Set, anodized

H. Safety Loading Unit: Provide loading unit to splice fit with track section and allow quick and safe curtain replacement. Unit includes durable hinge, latch, and standard length 5' track.

CE5920 - Optitrac® Safety Loading Unit, Wall Mount: white baked acrylic enamel finish, standard length - 5ft (1.52m). Provide white wall mount housing to allow safety loading unit to mount at ceiling height and to adjacent wall.

CE5921-Optitrac® Safety Loading Unit, Post Mount: white baked acrylic enamel finish, standard length - 5ft (1.52m) - provide white post mount housing to allow safety loading unit to mount to suspended posts, when wall mounting cannot be used.

CE8521 - Operating wand - white. Provide 42" (1.06m) long wand to lock and unlock safety loading unit from housings. One wand per 10 or fewer safety loading units.

I. Curtain Carriers: Provide acetel carriers with non-binding nylon rollers accurately fit to track. Carriers to be fitted to curtain to prevent accidental curtain removal. 2.2 carriers per lineal foot of track length, plus one extra carrier.

CE5038 Ball and Chain Carrier

J. Spool Carrier: Provide Spool Carrier with drop post and hook. Spool and drop post shall be injection molded acetel, hook shall be stainless steel. 2.2 carriers per lineal foot of track length, plus one extra carrier.

CE5041 Spool carrier with drop post and metal hook.

K. Solid Hook Spool Carrier: Provide solid hook spool carrier for use in Optitrac® and Optitrac® SLU. Carrier shall be one-piece, injection molded acetel. 2.2 carriers per lineal foot of track length, plus one extra carrier.

CE6030 Solid Hook Spool Carrier.

L. Ligature Resistant Pop-out Curtain Carriers: Provide non-binding nylon roller carrier, fitted to curtain with ligature resistant hook for safety. 2.2 carriers per lineal foot of track length.

CE6026-LR - Ligature Resistant* Carrier. *While these products are designed for behavioral health applications, they do not guarantee patient safety.

M. Wands: Provide wand to move curtain along the track.

CE9224: Adjustable Chain Wand 24" (609mm)

CE100699: Drapery Wand 30"

CE100697: Drapery Wand 36"

CE100698: Drapery Wand 48"

N. Tie Backs: Provide curtain tie back to hold curtain back.

CE9251 - Beaded Plastic Chain Curtain Tie Back - 48" (1.22m) long chain

CE9252 - Beaded Nickel-Plated Curtain Tie Back - 48" (1.22m) long chain

Fabric Tie Back - 3" x 18", 1" white Velcro each end.

O. Wall Brackets: Provide Wall Brackets to install track on wall. Bracket dimensions: 4.25" (108mm) deep x 1.75 (44mm) high x 1.25 (32mm) wide. Space brackets a maximum of 24" (610mm) on center.

CE5082 Wall Bracket, white.

CE5082-AN Wall Bracket, zinc plated.

2.04 I.V. BAG HOLDER COMPONENTS

1. I.V. Support Carriage: Provide carriage with nylon wheels, twist lock device for 8' (2.45m), 8'6" (2.59m), 9' (2.74m), 9'6" (2.9m), or 10' (3.05m) ceilings.

CE550208 - I.V. Carriage, 8' (2.45m) height

CE550286 - I.V. Carriage and extender hook, 8'6" (2.59m) height

CE550209 - I.V. Carriage and extender hook, 9' (2.74m) height

CE550296 - I.V. Carriage and extender hook, 9'6" (2.9m) height

CE550210 - I.V. Carriage and extender hook, 10' (3.05m) height

2. I.V. Bag Holder: Provide holder of stainless steel with foldable arms for storage. Units are to be fully telescoping to any position, with a spring load action from release/lock ring.

CE9505 - 5 Unit Bag Holder

CE9509 - 9 Unit Bag Holder

PART 3 - EXECUTION

3.01 EXAMINATION

A. Examine areas and conditions in which the cubicle tracking systems will be installed.

1. Complete all finishing operations, including painting, before beginning installation of cubicle tracking system materials.

2. Verify that surfaces and above ceiling supports are ready to receive work.

3.02 PREPARATION

A. General: Prior to installation, clean substrate to remove dust, debris and loose particles.

3.03 INSTALLATION

A. General: Locate the cubicle track as indicated on the approved detail drawing for the appropriate substrate and in compliance with the Clickze installation instructions.

B. Installation of Optitrac® Cubicle Tracking System:

1. Install cubicle track, secure and rigid, and true to ceiling line.

2. Install end cap.

3. Secure track to ceiling system. Install with mechanical fasteners.

4. Slide carriers onto the track.

5. Install curtains on carriers ensuring smooth operation.

3.04 CLEANING

A. At completion of the installation, remove any debris and clean surfaces in accordance with the Clickze clean-up and maintenance instructions

END OF SECTION