



Tempering Valve

Division of
Acorn Engineering Company®



A MEMBER OF
MORRIS GROUP
INTERNATIONAL

Model WHST70

Lead-Free Lavatory Tempering Valve With Integral Mounting Feet

APPLICATION:

The Acorn WHST70 is an ASSE 1070 certified, lead-free thermostatic tempering valve that protects against dangerously hot water in any commercial sink or lavatory application. This valve can be used with any type of faucet for maximum flexibility and can accommodate a single lavatory or up to 8 hand washing stations having a 0.5 gpm flow rate.

CAPE COD SYSTEMS CORPORATION

TEL. 1-888-227-8555

FEATURES:

- ✧ Lead-Free certified DZR brass body with corrosion resistant and lead free internal components.
- Valve body available in rough brass or rough chrome plated.
- Integral and cartridge-style checks with accessible screens to prevent backflow and to filter debris from entering the valve.
- Temperature adjustment is made using an Allen wrench. A locknut on the bonnet prevents unauthorized or accidental temperature adjustment.
- Commercial quality paraffin actuator provides repeatable, reliable performance.
- Factory set to 105°F (41°C) and field adjustable.
- Integral mounting Feet

* In accordance with ASSE 1070 as certified by IAPMO

** Under Normal Operating Conditions

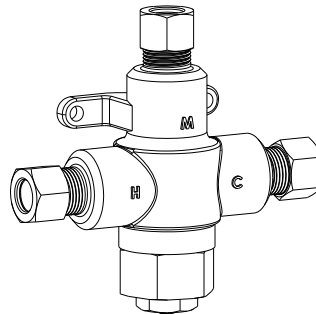
- ✧ The wetted surface of these valves contacted by consumable water contains less than 0.25% of lead by weight in conformance with national lead free law.

GUIDE SPECIFICATION:

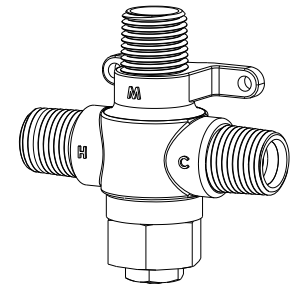
The lavatory tempering valve shall be IAPMO lab certified per ASSE 1070 at 0.25 GPM (1.0 LPM) and CSA standards and shall have a solid brass body with corrosion resistant internal components. It shall include integral checks with screens to prevent backflow and to filter debris from entering the valve. Temperature adjustment shall be made using an allen wrench and a locknut on the bonnet to prevent unauthorized or accidental temperature adjustment. Valve shall provide 4.0 GPM (15 LPM) with 3/8" compression connection and 4.5 GPM (17 LPM) capacity with the 1/2" NPT connection at 45 psi (310 kPa) differential. Temperature range shall be 85°F-115° F (29°C-46° C). Valve shall be Whitehall model WHST70.

Please visit www.whitehallmfg.com
 for most current specifications.

WARNING: Cancer and Reproductive Harm - www.P65Warnings.ca.gov



WHST70-38



WHST70-12



Patent #9,989,017

SPECIFICATIONS:

Valve Specifications:

Maximum Operating Pressure: 125 PSI (861 kPa)
 Flow Rate @ 45 psi (310 kpa) differential:
 WHST70-12: 4.5 GPM (17 LPM)
 WHST70-38: 4.0 GPM (15 LPM)
 Certified Minimum Flow Rate*: 0.25 GPM (1.0 LPM)
 Maximum Hot Water Temp: 180°F (82°C)
 Minimum Hot Water Supply Temp**: 5°F (3°C)
 Above Set Point
 Temperature Range*: 85°F-115°F (29°C-46°C)
 Connections 1/2" NPT or 3/8" Compression

WHST70-12

PRESSURE DROP PSID (kPa)	Cv	5 (34)	10 (69)	15 (103)	20 (138)	30 (207)	45 (310)	60 (414)
FLOW RATE GPM (LPM)	0.7	1.5 (5.7)	2.1 (8)	2.6 (9.8)	3 (11.4)	3.7 (14)	4.5 (17)	5.2 (19.7)

WHST70-38

PRESSURE DROP PSID (kPa)	Cv	5 (34)	10 (69)	15 (103)	20 (138)	30 (207)	45 (310)	60 (414)
FLOW RATE GPM (LPM)	0.6	1.3 (5)	1.9 (7.1)	2.3 (8.7)	2.7 (10)	3.3 (12.4)	4 (15)	4.6 (17.5)

Complies with the following standards:



Complies with the following standards:



UL 1951
 CSA C22.2 Nos. 14 & 68



CAPE COD SYSTEMS CORPORATION

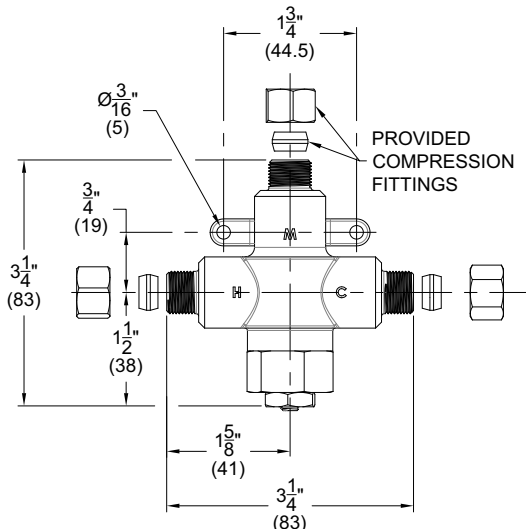
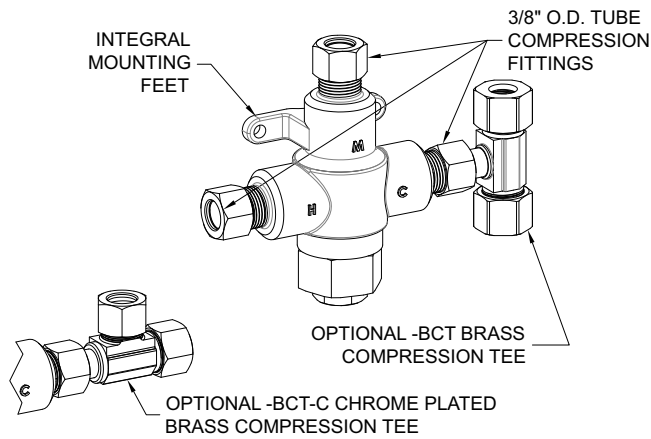
TEL. 1-888-227-8555

www.capecodsystems.com

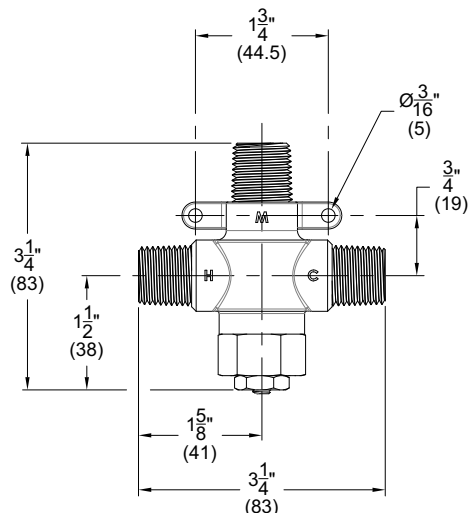
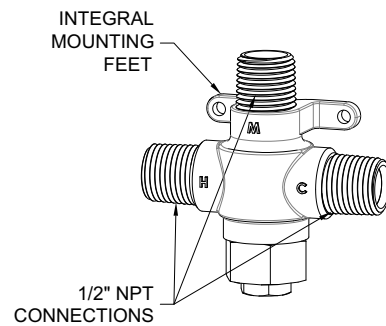
VALVE SELECTION:

- WHST70-12 Brass Valve Body With 1/2" NPT Connections
- WHST70-38 Brass Valve Body With 3/8" Compression Connections

TECHNICAL DIMENSIONS:



WHST70-38



WHST70-12

WARNING: Cancer and Reproductive Harm - www.P65Warnings.ca.gov

SELECTION SUMMARY & APPROVAL FOR MANUFACTURING

Model Number & Options _____ Quantity _____
 Company _____ Date _____
 Contact _____ Title _____
 Approval for Manufacturing/Signature _____

All dimensions are nominal and subject to manufacturer's change without notice. Whitehall assumes no responsibility for use of void or suspended data © Whitehall Manufacturing, Member of Morris Group International. Please visit www.whitehallmfg.com for most current specifications.