



CAPE COD SYSTEMS CORPORATION
TEL. 1-888-227-8555

Division of Acorn Engineering Company®



A MEMBER OF



Ligature Resistant Wall Mounted Shower Head

The BestCare® Dignity Suite is a curated collection of ligature-resistant bathroom fixtures and accessories. Designed to create a peaceful and well-balanced environment, the Dignity Suite is stylish and sleek while simultaneously protecting patients' safety.

The Dignity Suite Wall Mounted Shower Head combines patient safety and function. Shower head body includes heavy-duty chrome plated brass and type 303 stainless steel polished to a mirror finish. Spray pattern is a non-adjustable multi-stream style which provides a 1.5 GPM flow rate. Unit is intended for installation on a finished wall from the front side and includes a factory provided O-ring Adapter with vandal resistant Fastener to complete the installation.



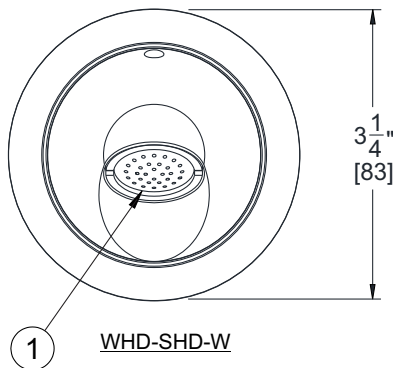
WHD-SHD-W

MODEL NUMBER AND OPTIONS SELECTION:

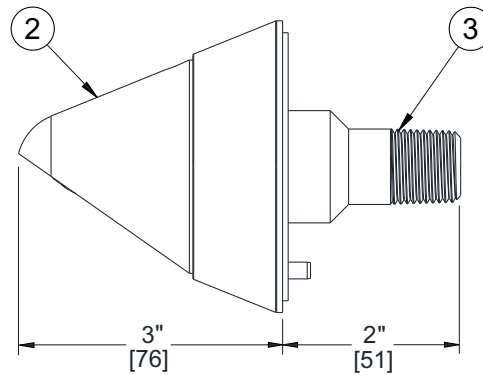
BASE MODEL NUMBER

- WHD-SHD-W Ligature Resistant Wall Mounted Shower Head

FRONT VIEW



SIDE VIEW



NOTES:

1. Spray Nozzle Assembly, 1.5 GPM
2. Conical Wall Showerhead
3. O-ring Adapter with 1/2"-13 NPTE Threads

DISCLAIMER:

This product is designed to decrease the probability that it may be utilized as an apparatus for ligature. It is not a replacement for professionals who are trained in the proper evaluation, management and supervision of persons at risk of suicide.

⚠ WARNING: Cancer and Reproductive Harm - www.P65Warnings.ca.gov

SELECTION SUMMARY & APPROVAL FOR MANUFACTURING

Model Number & Options _____ Quantity _____
 Company _____ Date _____
 Contact _____ Title _____
 Approval for Manufacturing/Signature _____



All dimensions are nominal and subject to manufacturer's change without notice. Whitehall assumes no responsibility for use of void or superseded data © Whitehall Manufacturing, Member of Morris Group International. Please visit www.whitehallmfg.com for most current specifications.