



Whitehall Manufacturing®
 Manufacturer of Healthcare and Rehabilitation Products since 1946

BestCare®
 Patients, Not Prisoners®

**Healthcare and Ligature
 Resistant Products**

Cape Cod Systems
888-227-8555

www.capecodsystems.com

**Whitehall
 Ligature Resistant
 Stainless Steel
 Corner Basin
 ADA Compliant**

Model WH3741L
 WH3741R

Division of
 Acorn Engineering Company®



A MEMBER OF



• Patented D840,523

WH3741L-WH3375-SO

Fixture May Show Some Available Options

**Ligature Resistant Corner
 Stainless Steel Basin**

Ligature Resistant Corner Stainless Steel Basin is engineered to combine the look and feel of commercial grade designer basins and countertops with durability and economy in mind. Each standard height Washbasin complies with ANSI, UFAS, and ADA requirements. Compliance is subject to the interpretation and requirements of the local code authority.

Countertop and Basin are constructed of 16 gage stainless steel with exposed surfaces powder coated white. Basin includes ligature resistant side splashes, overflow, grid strainer, waste piping and 1-1/2" P-Trap.

Optional Ligature Resistant Faucet (WH3375-SO shown) is available. **See Individual BestCare Specification Sheets for 4" Centerset Faucet.**

Optional Mixing Valve WHST70-12 delivers tempered water flow by compensating for pressure and temperature fluctuations and is ASSE 1070 compliant. Valve is to be field set to 105° Fahrenheit and includes strainers and integral checks. Operating range is 30PSI to 300PSI.

Enclosure conceals P-trap and optional valve assembly and is fabricated from 18 gage, type 304 stainless steel includes an access panel and is powder coated white.

GUIDE SPECIFICATION

Ligature Resistant stainless steel Washbasin. Unit with 34" standard rim height to conform with ANSI, UFAS and ADA Accessibility Standards. Provide integral "D" Shaped basin with an integral, rear overflow. Basin, countertop, backsplash and sidesplash to be constructed of type 304 stainless steel. Washbasin shall conform to ANSI Z124.3 and ANSI Z124.6. Trap enclosure to be constructed of 18 gage, type 304 stainless steel and is powder coated white.

Please visit www.whitehallmfg.com for most current specifications.



Member of
 U.S. Green
 Building
 Council



Recyclable
 Product



Water
 Conserving
 Product



Federal
 Public Law
 111-358
 (No Lead)



Whitehall Mfg. • P.O. Box 3527 • City of Industry, CA 91744 • (800) 782-7706 • (626) 968-6681 • Fax (626) 855-4862

WH3741

Revised: 09/27/2022



Cape Cod Systems

888-227-8555

www.capecodsystems.com

MODEL NUMBER AND OPTIONS SELECTION:

BASE MODEL NUMBER:

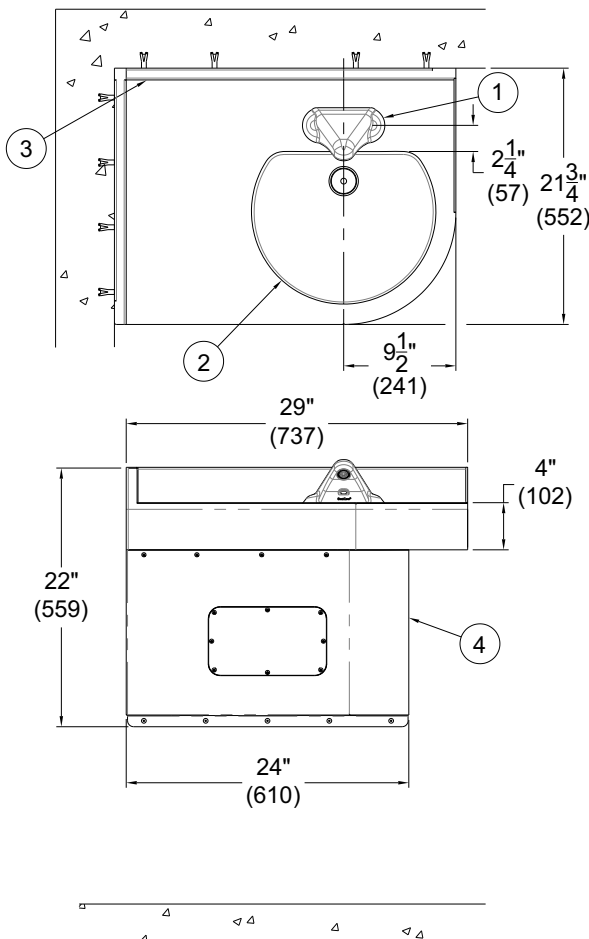
- WH3741L Ligature Resistant Stainless Steel Corner Basin, Left Corner
- WH3741R Ligature Resistant Stainless Steel Corner Basin, Right Corner

VALVE SELECTION

See Individual BestCare Specification Sheets for 4" Centerset Faucet

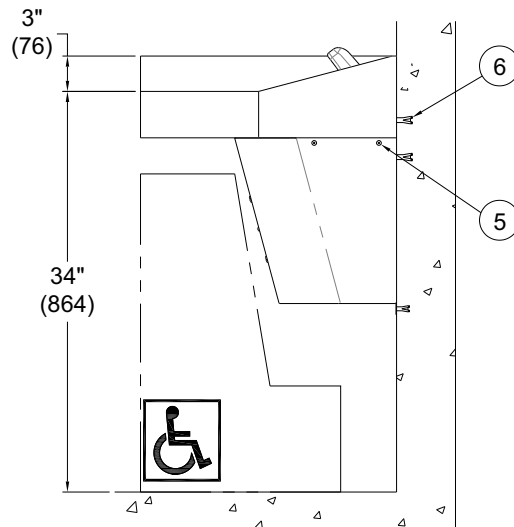
PRODUCT OPTIONS:

- MC Mounting Carrier
- WHST70-12 Tempering Valve With Integral Mounting Feet Brass Body With 1/2" NPT Connections



NOTES:

1. Ligature Resistant Sensor Activated Faucet (Optional)
2. D-Shaped Bowl
3. Back/Side Splash
4. Ligature Resistant Bottom Enclosure With Access Panel
5. Tamper Resistant Screws
6. Wall Anchoring Hardware (By Others)



MODEL# WH3741L-WH3375-SO

DISCLAIMER:

This product is designed to decrease the probability that it may be utilized as an apparatus for ligature. It is not a replacement for professionals who are trained in the proper evaluation, management and supervision of persons at risk of suicide.

WARNING: Cancer and Reproductive Harm - www.P65Warnings.ca.gov

SELECTION SUMMARY & APPROVAL FOR MANUFACTURING

Model Number & Options _____ Quantity _____
 Company _____ Date _____
 Contact _____ Title _____
 Approval for Manufacturing/Signature _____

All dimensions are nominal and subject to manufacturer's change without notice. Whitehall assumes no responsibility for use of void or superseded data © Whitehall Manufacturing, Member of Morris Group International. Please visit www.whitehallmfg.com for most current specifications.