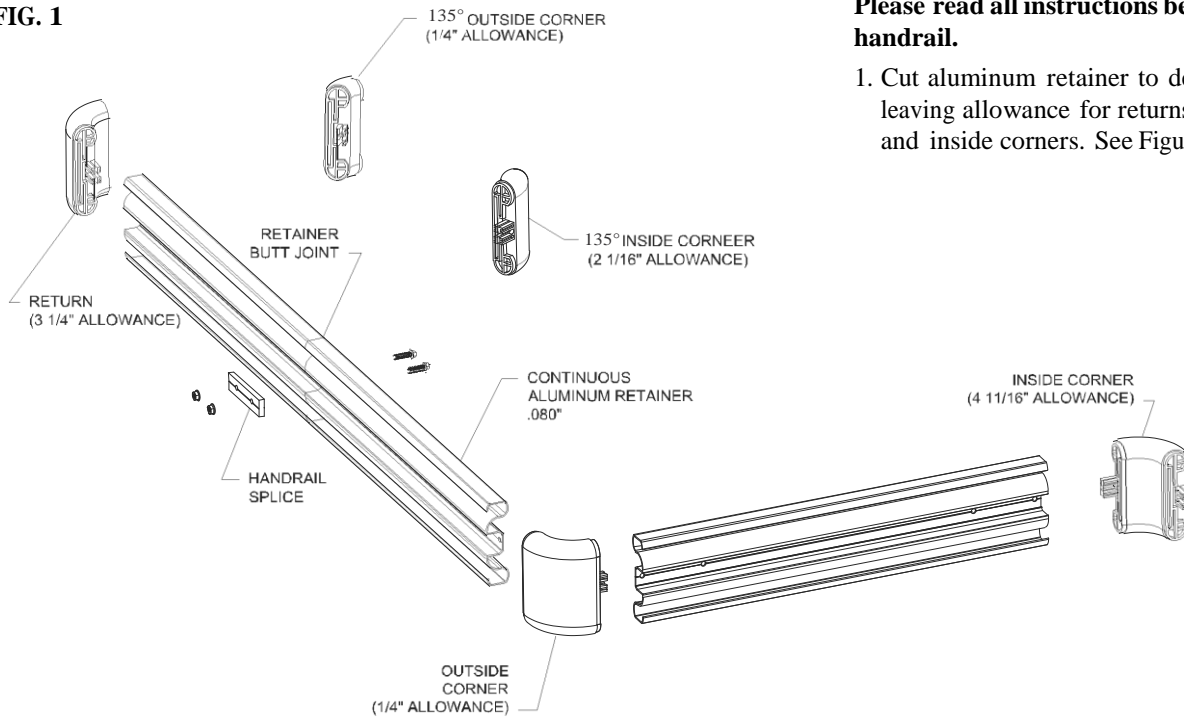


Installation Instructions

800/800W/855/G-800/G2-800 Handrails

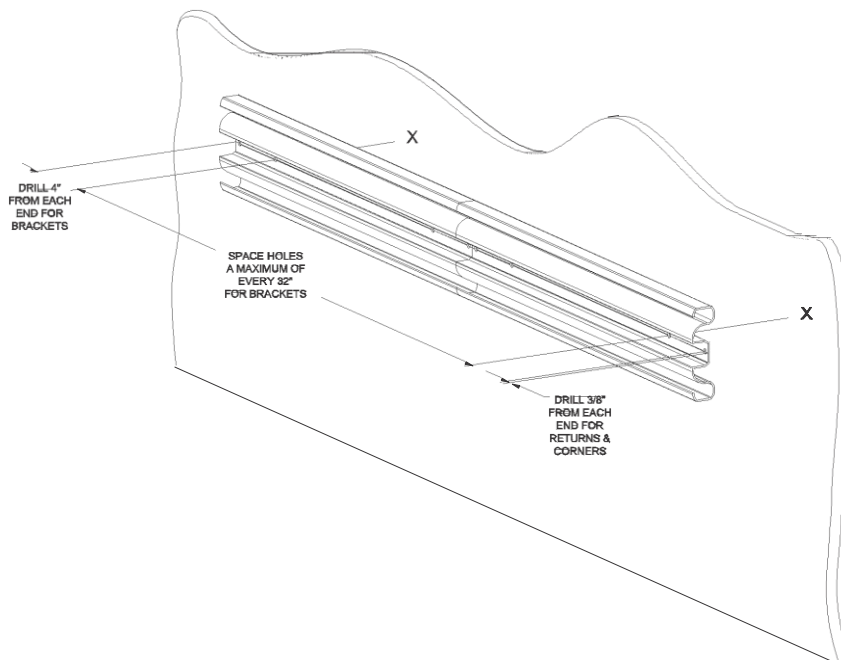
FIG. 1



Please read all instructions before installing handrail.

1. Cut aluminum retainer to desired length, leaving allowance for returns, outside corners and inside corners. See Figure 1.

FIG. 2

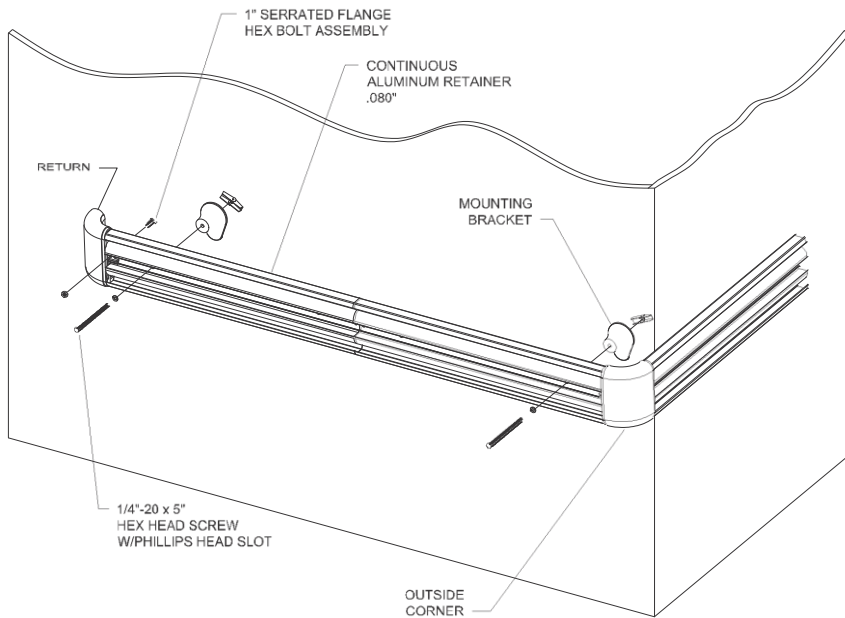


2. Drill holes in centerline of aluminum retainer for brackets, returns and corners using 1/4" drill bit. Position aluminum retainer against wall at desired height allowing for returns and corners. Level and mark bracket holes on wall. Drill marked holes with 3/4" drill bit for toggle bolts (drywall installation) or 1/2" drill bit for lead anchor (concrete wall installation). See Figure 2.

Installation Instructions

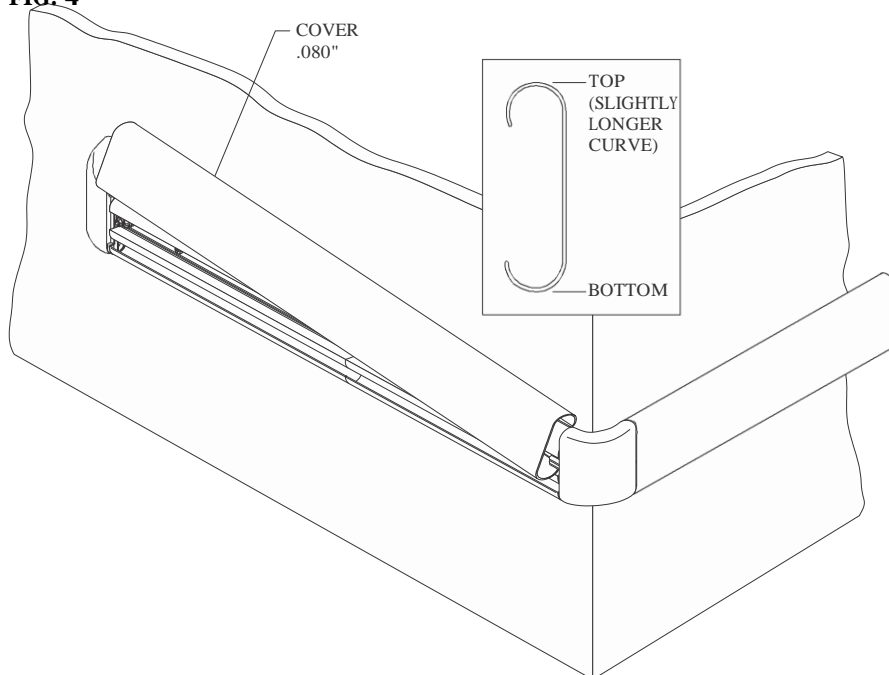
800/800W/855/G-800/G2-800 Handrails

FIG. 3



3. Attach returns and corners to retainer leaving a $\frac{1}{16}$ " gap between returns/corners and retainer to allow for adjustment. Loosely attach brackets to retainer. Mount on wall, level retainer and tighten screws to secure. See Figure 3.

FIG. 4



4. Cut cover to length between returns and/or corners. (Note: Distinct top and bottom for cover. Trim factory edges square before installation). Position cover on retainer and adjust returns and/or corners for a tight fit. Snap cover on retainer by starting at top and pivoting over the bottom of retainer. See Figure 4.

Note: For 855 Covers Only – When continuous runs are over 12', covers should be installed in consecutive order using the numbers found on the back of covers. This ensures proper alignment of accent strip.